

DRAWING NOT TO SCALE, ALL DIMENSIONS IN INCHES

DOOR NO.	A	B	C	D	E	H

APPLICATION

- COOLER TO COOLER COOLER TO FREEZER

ELECTRICAL OPTIONS

- 460v - 3ph 575v - 3ph (\$) (INCLUDES NEMA 4 METAL ENCLOSURE WITH 575/460 TRANSFORMER)
 230v/208v - 3ph

STANDARD FEATURES

- INSULATED 1" THICK BLUE FOAM PANEL & FIBERGLASS THERMAL BREAKS AROUND DOOR PERIMETER
- QUAD SEALING SIDE COLUMNS, DUAL HEAD SEALS
- 1/O EXPANSION BOARD
- 208, 230, & 460v REQUIRES 20 AMP SERVICE. 575V REQUIRES 15 AMP SERVICE

UPGRADE OPTIONS

- RIGHT HAND MOTOR MOUNT (LH STANDARD)
 SINGLE SOURCE TRANSFORMER (\$)
 PATHWATCH SAFETY SYSTEM (2) SETS (\$) (FIELD INSTALLED IF B<84")
 ROTARY DISCONNECT (NON-FUSED) (\$)
 BTA4 (BLUETOOTH ACCESS TERMINAL) (\$)
 NIGHT SWITCH FUNCTION:
 SELECTOR SWITCH ON CONTROL BOX (\$) FUNCTION: _____
 ACTIVE BOTTOM BAR (\$)
 SAFETY PHOTOEYES (\$)
 SIDE COLUMN WARMERS (\$) (120V/10A)*
 UNHEATED E-ZONE BLOWER (\$) (120V/10A)*
 *BLOWER AND SIDE COLUMN WARMERS REQUIRE A 120V SERVICE -OR- A SINGLE SOURCE TRANSFORMER

OPTION NOTES

(\$) = PRICING CHANGE IF NOT INCLUDED IN QUOTE

PLEASE SPECIFY VOLTAGE

RYTEC CORPORATION

ONE CEDAR PARKWAY, JACKSON, WI 53037-0403

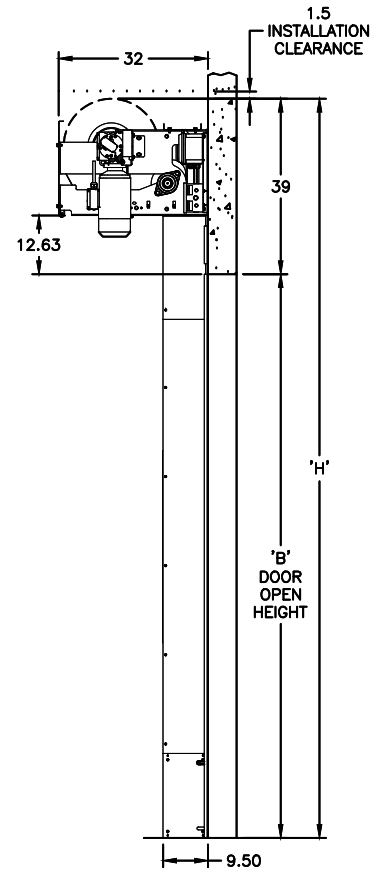
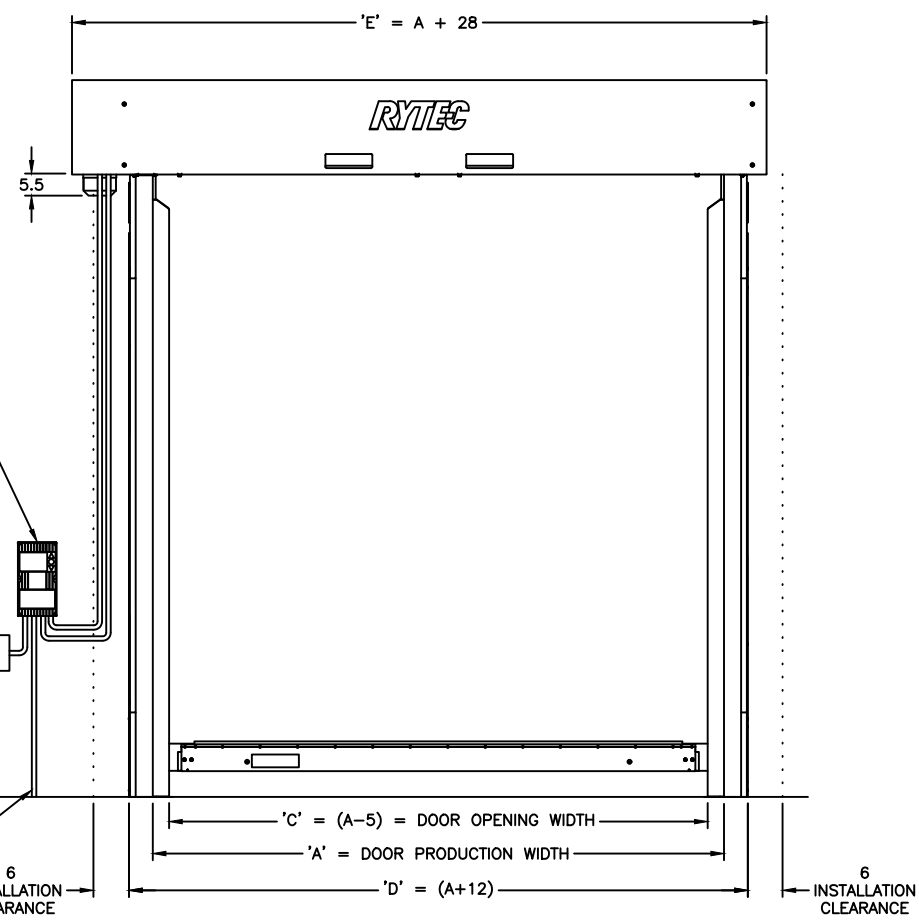
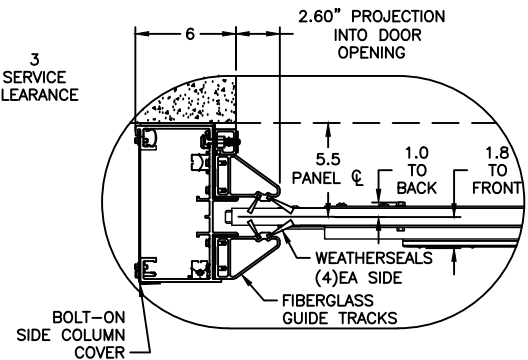
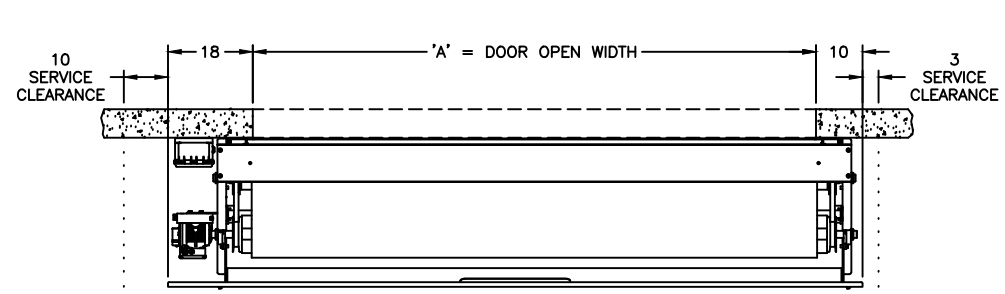
**APPROVAL DRAWING
SURE-SEAL**

CUSTOMER: _____

LOCATION: _____

DATE: _____ REV.: _____

DRAWING NO.: 2401-01T



DOOR CONTROLLER BY RYTEC
 SEE STANDARD FEATURE (8) 3Ø FUSED DISCONNECT BY OTHERS
 CONDUIT FOR FLOOR LOOP BY OTHERS
 6 INSTALLATION CLEARANCE

*IF DOOR IS MOUNTED ON A FREEZER TO COOLER OPENING, DOOR, CONTROL PANEL, AND BLOWERS MUST BE MOUNTED TO THE WARM SIDE OF THE OPENING.

FINAL APPROVAL SIGNATURE
 FABRICATION CAN PROCEED ACCORDING TO THE SPECIFICATION SHOWN EXCEPT AS NOTED

APPROVED BY: _____
 PRINT NAME: _____
 SIGNATURE: _____
 DATE: _____