

DIMENSIONAL VARIABLES

DRAWING NOT TO SCALE; DIMENSIONS IN INCHES

DOOR NO.	A	B	C	F	M	K1	K	H
MILLIMETERS								

ACTUAL DOOR SIZE IS PRODUCED IN MILLIMETERS
REQUESTED DOOR SIZE IS CONVERTED TO MILLIMETERS
AND ROUNDED UP TO THE NEAREST 10MM

ELECTRICAL OPTIONS

- 460v - 3ph
- 230v/208v - 3ph
- 230v/208v - 1ph
- 575v - 3ph (\$) (INCLUDES NEMA 4 METAL ENCLOSURE WITH 575/460 TRANSFORMER)

STANDARD FEATURES

- SIDE COLUMN AND HEAD CONSOLE POWDER COATED RYTEC SILVER.
- INTELLIGENT LIGHT CURTAIN SYSTEM IN DOOR LINE TO 6'-0" ABOVE FINISHED FLOOR.
- VARIABLE DOOR OPENING SPEED; UP TO 60"/SEC.
- PROGRAMMABLE UPPER AND LOWER LIMITS.
- NEMA 4X SYSTEM 4 CONTROL BOX (8.5"X16.5").
- BRAKE RELEASE LEVER ON SIDE COLUMN.
- ELECTRICAL FAIL SAFE REVERSING EDGE.
- ONE (1) SET PATHWATCH LEDS.

UPGRADE OPTIONS

- BRAKE RELEASE LEVER
- SIDE COLUMN REMOTE MOUNT (\$) BOTH (\$)
- RIGHT HAND DRIVE
- ROTARY DISCONNECT (\$)
- SELECTOR SWITCH ON CONTROL BOX(\$)
- FUNCTION:
- PHOTOEYES IN LIEU OF LIGHT CURTAINS (\$)

PANEL OPTIONS

- INSULATED SOLID SLATS (\$) WINDOWS (\$)
 - 1 2 3 4 OTHER _____
 - VENTS (\$)
 - 1 2 3 4 OTHER _____
 - VISION HEIGHT (DIM 'J')
 - 33" 39" 51"
- UP TO FOUR (4) VISION/VENT SLATS PER GROUP WITH AT LEAST ONE (1) SOLID SLAT SEPARATING GROUPS.

ACTIVATION OPTIONS (\$)

- _____ PUSHBUTTON
- _____ PULL CORDS
- _____ MOTION DETECTOR
- _____ PRESENCE DET.
- _____ MOTION/PRESENCE
- _____ DUAL LOOP CONTROLLER
- _____ RADIO CONTROL RCVR (INCLUDE MIN 2 XMIT)
- _____ 1 BTN TRANSMITTER
- _____ 2 BTN TRANSMITTER
- _____ 4 BTN TRANSMITTER

OPTION NOTES

(\$) = PRICING CHANGE IF NOT INCLUDED IN QUOTE
PLEASE SPECIFY VOLTAGE

RYTEC CORPORATION

ONE CEDAR PARKWAY, JACKSON, WI 53037-0403

APPROVAL DRAWING

SPIRAL LH MODEL SSN-S

FOR DOOR WIDTH UP TO 20', HEIGHT UP TO 16'-4"

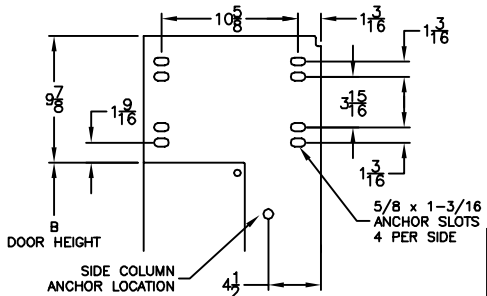
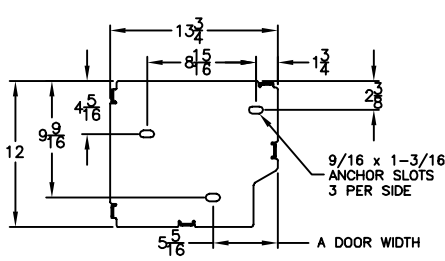
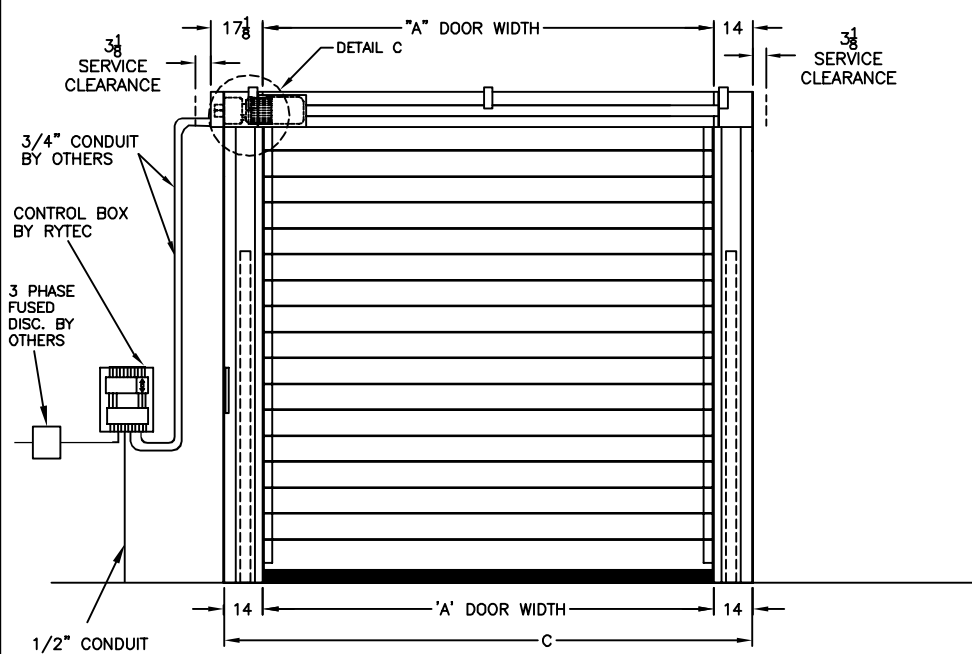
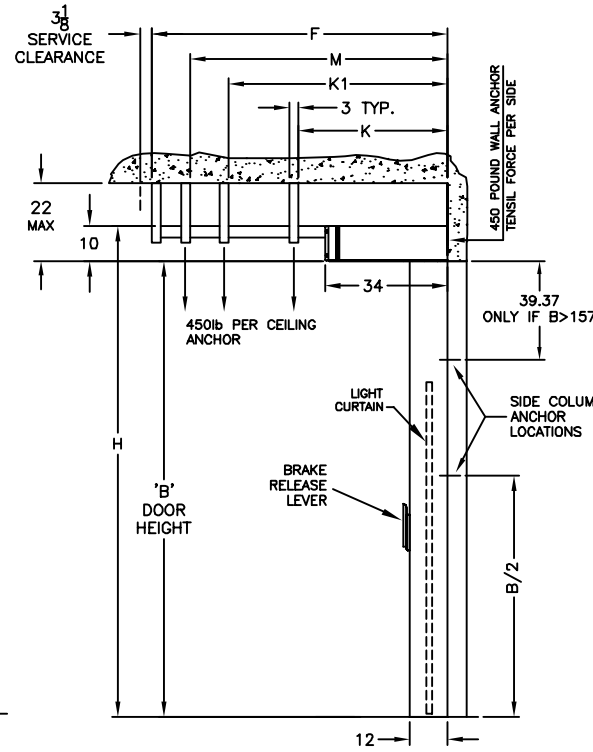
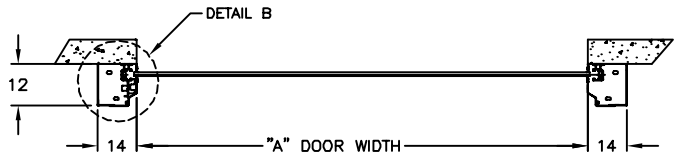
CUSTOMER: _____

LOCATION: _____

DATE: _____

DRAWING NO.: 727-01T

REV.: _____



HANGER FORMULAS
K = NOT REQUIRED; FOR B<98
K = 72; FOR B>=98

K1 = NOT REQUIRED; FOR B<161
K1 = 135; FOR B>=161

M = B+20; FOR B<91
M = B; FOR B>=91

F = B+31; FOR B<91
F = B+11; FOR B>=91

FINAL APPROVAL SIGNATURE

FABRICATION CAN PROCEED ACCORDING TO THE SPECIFICATION SHOWN EXCEPT AS NOTED

APPROVED BY: _____
PRINT NAME: _____
SIGNATURE: _____
DATE: _____

REV	DESCRIPTION	DATE	BY