

DIMENSIONAL VARIABLES

DRAWING NOT TO SCALE; DIMENSIONS IN INCHES

DOOR NO.	A	B	C	F	M	K	H
MILLIMETERS							

ACTUAL DOOR SIZE IS PRODUCED IN MILLIMETERS
REQUESTED DOOR SIZE IS CONVERTED TO MILLIMETERS
AND ROUNDED UP TO THE NEAREST 10MM

ELECTRICAL OPTIONS

- 460v - 3ph
- 230v/208v - 3ph
- 230v/208v - 1ph
- 575v - 3ph (\$)
- (INCLUDES NEMA 4 METAL ENCLOSURE WITH 575/460 TRANSFORMER)

STANDARD FEATURES

- SIDE COLUMN AND HEAD CONSOLE POWDER COATED RYTEC SILVER.
- INTELLIGENT LIGHT CURTAIN SYSTEM IN DOOR LINE TO 6'-0" ABOVE FINISHED FLOOR.
- VARIABLE DOOR OPENING SPEED; UP TO 24"/SEC.
- PROGRAMMABLE UPPER AND LOWER LIMITS.
- NEMA 4X SYSTEM 4 CONTROL BOX (8.5"x16.5").
- ELECTRICAL FAIL SAFE REVERSING EDGE.
- ONE (1) SET PATHWATCH LEDS.

UPGRADE OPTIONS

- RIGHT HAND DRIVE
- ROTARY DISCONNECT (\$)
- SELECTOR SWITCH ON CONTROL BOX (\$)
FUNCTION: _____
- PHOTOEYES IN LIEU OF LIGHT CURTAIN (\$)

PANEL OPTIONS

- INSULATED SOLID SLATS (\$) WINDOWS (\$)
 - 1 2 3 4 OTHER _____
 - VENTS (\$) 1 2 3 4 OTHER _____
 - VISION HEIGHT (DIM 'J') 33" 39" 51"
- UP TO FOUR (4) VISION/VENT SLATS PER GROUP WITH AT LEAST ONE (1) SOLID SLAT SEPARATING GROUPS.
- OR UP TO SEVEN (7) VISION/VENT SLATS PER GROUP W/ AT LEAST TWO (2) SOLID SLATS SEPARATING GROUPS.

ACTIVATION OPTIONS (\$)

- _ PUSHBUTTON
- _ PULL CORDS
- _ MOTION DETECTOR
- _ PRESENCE DET.
- _ MOTION/PRESENCE
- DUAL LOOP CONTROLLER
- RADIO CONTROL RCVR (INCLUDE MIN 2 XMIT)
- _ 1 BTN TRANSMITTER
- _ 2 BTN TRANSMITTER
- _ 4 BTN TRANSMITTER

OPTION NOTES

(\$) = PRICING CHANGE IF NOT INCLUDED IN QUOTE

PLEASE SPECIFY VOLTAGE

RYTEC CORPORATION

ONE CEDAR PARKWAY, JACKSON, WI 53037-0403

APPROVAL DRAWING

SPIRAL LP MODEL SSN-LP-L

FOR DOOR WIDTH UP TO 13'-1", HEIGHT UP TO 12'-0"

CUSTOMER: _____

LOCATION: _____

DATE: _____

DRAWING NO.: **730-01T** REV: _____

FORMULAS

F = (B + 30.50); FOR B < 91
F = (B + 11.00); FOR B >= 91

M = (B + 20.00); FOR B < 91
M = B; FOR B >= 91

K = NOT REQ'D; FOR B < 99
K = 72.00; FOR B >= 99

FINAL APPROVAL SIGNATURE

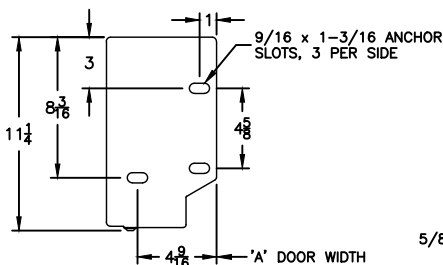
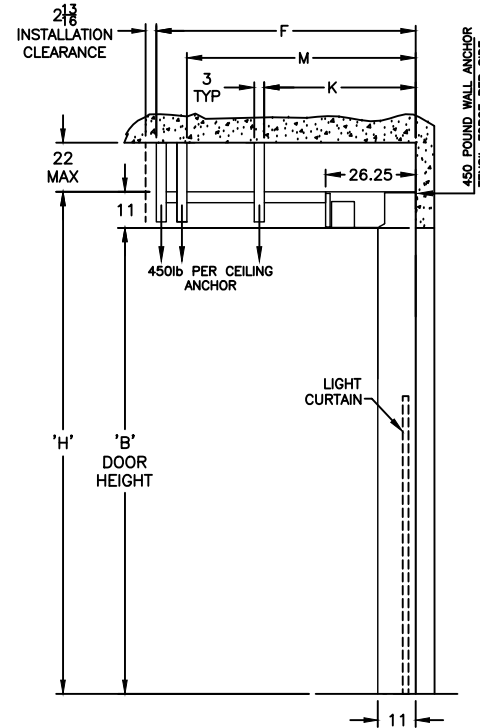
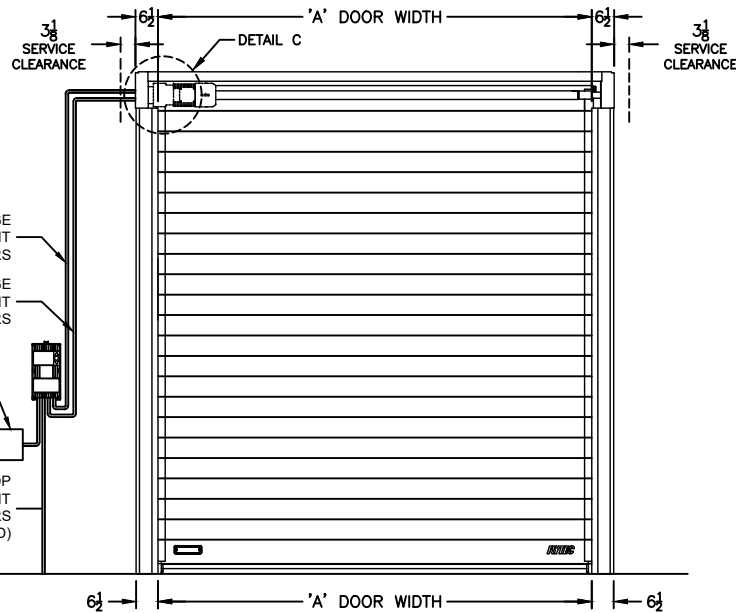
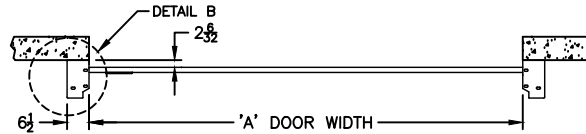
FABRICATION CAN PROCEED ACCORDING TO THE SPECIFICATION SHOWN EXCEPT AS NOTED

APPROVED BY: _____

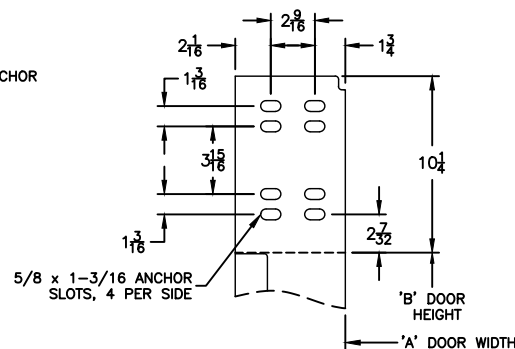
PRINT NAME: _____

SIGNATURE: _____

DATE: _____



DETAIL B



DETAIL C

REV	DESCRIPTION	DATE	BY