

DRAWING NOT TO SCALE, ALL DIMENSIONS IN INCHES

A	B	C	D	E	H1	H2
---	---	---	---	---	----	----

PANEL OPTIONS

PANEL MATERIAL
 1/4" THICK 1-PLY SBR RUBBER - BLACK

ELECTRICAL OPTIONS

<input type="checkbox"/> 460v - 3ph	<input type="checkbox"/> 575v - 3ph
<input type="checkbox"/> 230v/208v - 3ph	(INCLUDES NEMA 4 METAL ENCLOSURE WITH 575/460 TRANSFORMER)

STANDARD FEATURES

1. WIRELESS BOTTOM BAR (NO COIL CORD)
2. SEMI-SELF REPAIRING BREAKAWAY BOTTOM BAR WITH ELECTRIC SAFETY REVERSING EDGE.
3. IN-LINE LIGHT CURTAINS
4. TWO (2) SETS PATHWATCH LED LIGHTS.
5. NO SPRINGS REQ'D.

STANDARD OPTIONS

- | | |
|---------------------------------------------------------------|---------------------------------------------------------------|
| <input type="checkbox"/> SLANT HOOD (EXTRA HEAD ROOM) | <input type="checkbox"/> 575v - 3ph |
| <input type="checkbox"/> RIGHT HAND DRIVE (OPPOSITE OF SHOWN) | (INCLUDES NEMA 4 METAL ENCLOSURE WITH 575/460 TRANSFORMER) |
| <input type="checkbox"/> ROTARY DISCONNECT (NOT FUSED) | |
| <input type="checkbox"/> SELECTOR SWITCH ON CONTROL BOX | |
| FUNCTION: _____ | |
| WINDOWS: <input type="checkbox"/> 60" SPACING | <input type="checkbox"/> 30" SPACING |
| WINDBARS: <input type="checkbox"/> FRONT | <input type="checkbox"/> REAR (ADDITIONAL CLEARANCE REQUIRED) |

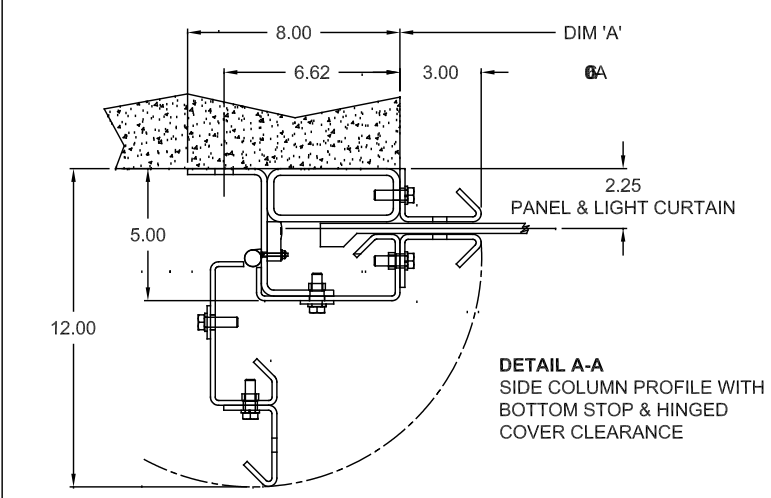
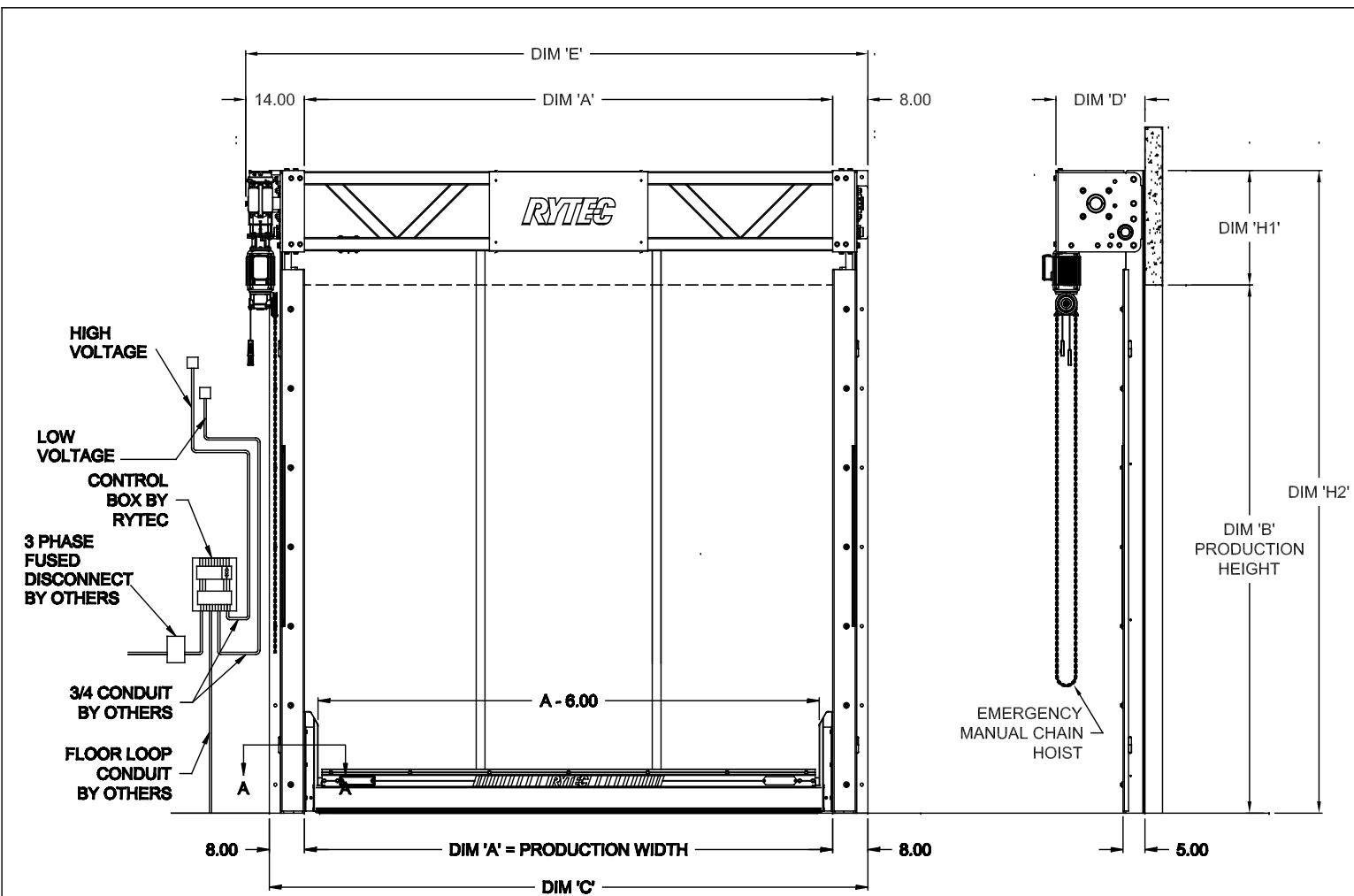
ACTIVATION

- | | |
|--------------------------------------------|-----------------------------------------------|
| <input type="checkbox"/> — PUSHBUTTON | <input type="checkbox"/> DUAL LOOP CONTROLLER |
| <input type="checkbox"/> — PULL CORDS | <input type="checkbox"/> RADIO CONTROL RCVR |
| <input type="checkbox"/> — MOTION DETECTOR | (INCLUDE MIN 2 XMIT) |
| <input type="checkbox"/> — PRESENCE DET. | — 1 BTN TRANSMITTER |
| <input type="checkbox"/> — MOTION/PRESENCE | — 2 BTN TRANSMITTER |
| | — 4 BTN TRANSMITTER |

OPTION NOTES

NOTES:

- 1) MOTOR HEATER



DIM A (MAX.)	DIM B (MAX.)	HEAD (REF)	NO HOOD			WITH HOOD		
			DIM D	DIM E	DIM H1	DIM D	DIM E	DIM H1
288.00	360.00	C-SIZE	22.00	A+22	30.50	25.25	A+25	37.00
216.00	240.00	B-SIZE	20.50	A+22	26.50	25.25	A+25	33.00
204.00	120.00	A-SIZE	23.00	A+22	21.00	25.25	A+25	27.50

APPROVAL SIGNATURE

FABRICATION CAN PROCEED ACCORDING TO THE SPECIFICATION SHOWN EXCEPT AS NOTED

APPROVED BY: _____

PRINT NAME: _____

SIGNATURE: _____

DATE: _____

RYTEC CORPORATION
 ONE CEDAR PARKWAY, JACKSON, WI 53037-0403

**APPROVAL DRAWING
POWERHOUSE**

CUSTOMER: _____

LOCATION: _____

DATE: _____ REV.: _____

DRAWING NO.: 401604-00T **PG 1 OF 2**