

EXCLUSIVE SYSTEM 4[®] CONTROLLER

RYTEC
HIGH PERFORMANCE DOORS

Powerful functionality and unprecedented efficiency - Rytec's System 4[®] door controller is also fast, smart and easy to install. The intelligent processor and variable frequency drive generate an energy efficient speed curve for smooth motion and soft starting and stopping. Whether it is a rolling, folding or sliding door, performance is under control with the state-of-the-art System 4 door controller.

Intelligent Control

- Monitors power consumption and utilizes dynamic speed curves
- Self-monitoring and self-diagnostic capabilities simplify troubleshooting

Simple and Precise

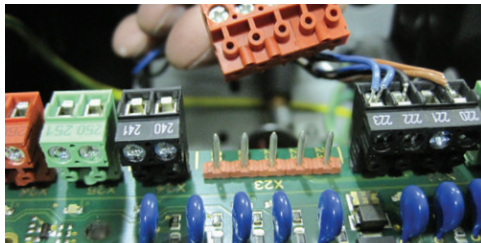
- Three simple buttons enable total digital control of all door functions, parameters and positioning

Fast and Smooth

- Speed adjustments, smooth motion and efficient operation result in less wear on components and lower maintenance costs

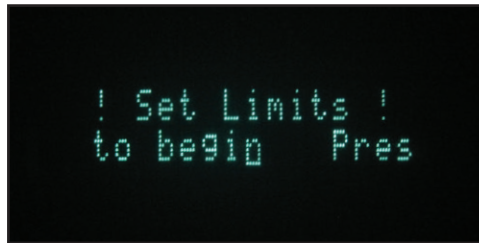
Programmable

- Program the door to match traffic speed and environment



Quick Connections

- Low voltage color-coded terminals can be pre-wired before plugging-in for easier connections
- Motor, brake and encoder are pre-wired with cables for faster installation



Easy to Read Display

- Vacuum fluorescent display
- Scrolling messages for full descriptions
- Easy to understand error codes and instructions



Absolute Encoder

- Absolute encoder allows for precise door positioning while eliminating the need for mechanical limit switches
- Positioning is maintained if the door is moved with power disconnected

Specifications

- UL/cUL listed, base enclosure UL Type NEMA 4X
- Enclosure size 16.75"H x 8.25"W x 7.75"D
- 208VAC, 230VAC 1-phase or 3-phase or 460VAC 3-phase power
- Low voltage color-coded terminals can be pre-wired before plugging-in for easier connections
- Motor, brake and encoder are pre-wired for fast installation
- Impact-resistant polycarbonate plastic
- Operating temperature range -4° to 149°F
- Total digital control with vacuum fluorescent display, scrolling messages and easy to understand instructions

Controls and Functionality

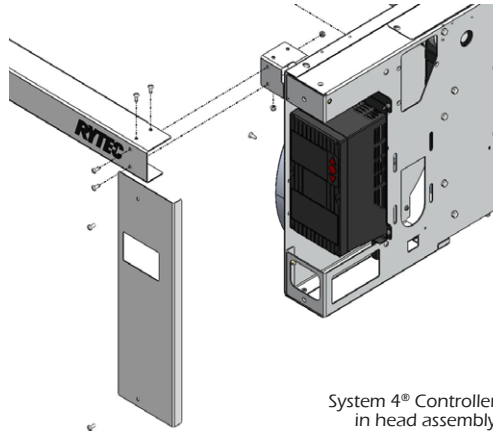
- Pre-configured at factory for power source
- Preprogrammed menu options or fully programmable
- Variable frequency drive for speed adjustments and soft starts and stops
- Intelligent processor monitors power consumption and utilizes most efficient speed curve for optimal energy performance
- Absolute encoder allows for precise door positioning while eliminating the need for mechanical limit switches
- Positioning is maintained if the door is moved with power disconnected
- Errors include a time and date stamp for reference

QUALITY. PERFORMANCE. RELIABILITY.

MS4 REMOTE DOOR CONTROLLER



Our Spiral® door series and many other models offer a pre-wired premium package that pairs the System 4® Controller, installed in the head of the door assembly, with our new MS4 Controller (Mini System 4). This smaller, less intrusive and compact enclosure provides enhanced aesthetics and features multiple mounting options. Minimal conduit and wiring creates a visually clean environment while also reducing installation time.



System 4® Controller in head assembly

Advanced Components

- System 4 fully connected and mounted in head assembly
- Separate power and activation-specific connection boxes included

Minimal Preparation

- No excess cable or wiring bundles
- Electrical typically installed in less time

Enhanced Aesthetics

- Features compact clean appearance
- Reduced wiring provides unparalleled flexibility for specification, pre-planning and final installation phases

COMPACT DESIGN WITH MULTIPLE MOUNTING OPTIONS



Specifications

- 9.5"H x 6.375"W x 2.25"D unit dimensions
- 4VDC Class 2 power supply
- 45' long low voltage quick connect cable for easier connections
- Indoor operating temperature range from 15° to 149°F
- Total digital control with vacuum fluorescent display, scrolling messages and easy to understand instructions

Controls and Functionality

- Allows for total control of door and System 4 parameters
- Same full text display as System 4
- Up/Down/Stop buttons
- On/off selector switch
- Connection and hardware kit included

QUALITY-ASSURED TESTING & CERTIFICATION

- ▶ Received at installation site as factory-certified, fully tested and fully inspected
- ▶ Electronic circuitry and electrical wiring connections factory certified for complete, out-of-the-box functionality
- ▶ Industry-leading three-year extended warranty electrical component coverage

