

SIDE COLUMN MOUNTING DETAIL LEFT HAND

DRAWING NOT TO SCALE. DIMENSIONS IN INCHES

DOOR NO.	A	B	HI-LIFT	C	D1	D2	D3
MILLIMETERS					21.38		
					542		

ACTUAL DOOR SIZE IS PRODUCED IN MILLIMETER REQUESTED DOOR SIZE IS CONVERTED TO MILLIMETERS AND ROUNDED UP TO THE NEAREST 10MM

**ELECTRICAL OPTIONS**

- 460v - 3ph
- 230v/208v - 3ph
- 230v/208v - 1ph
- 575v - 3ph (INCLUDES NEMA 4 METAL ENCLOSURE WITH 575/480 TRANSFORMER)

**STANDARD FEATURES**

1. ONE THRU-BEAM PHOTOEYE SET MOUNTED IN SIDE COLUMN AT 4" FROM FLOOR.
2. VARIABLE DOOR OPENING SPEED; UP TO 12"/SEC
3. DOOR CLOSING SPEED OF 12"/SECOND
4. PROGRAMMABLE UPPER AND LOWER LIMITS
5. NEMA 4X SYSTEM 4 CONTROL BOX (8.5"x16.5")

**STANDARD OPTIONS**

- CHAIN HOIST
- RIGHT HAND DRIVE
- ROTARY DISCONNECT
- SELECTOR SWITCH ON CONTROL BOX

**PANEL OPTIONS**

- INSULATED SOLID SLATS
- WINDOWS:  1  2  3  4  OTHER
- VENTS:  1  2  3  4  OTHER
- UP TO FOUR (4) VISION/VENT SLATS PER GROUP WITH AT LEAST ONE (1) SOLID SLAT SEPARATING GROUPS
- OR UP TO SEVEN (7) VISION/VENT SLATS PER GROUP W/ AT LEAST TWO (2) SOLID SLATS SEPARATING GROUPS

**ACTIVATION**

- PUSHBUTTON
- PULL CORDS
- MOTION DETECTOR
- PRESENCE DET.
- MOTION/PRESENCE
- DUAL LOOP CONTROLLER
- RADIO CONTROL RCVR (INCLUDE MIN 2 XMIT)
- 1 BTN TRANSMITTER
- 2 BTN TRANSMITTER
- 4 BTN TRANSMITTER

**OPTION NOTES:**

\*\*\*PLEASE SPECIFY VOLTAGE\*\*\*

**FORMULAS**

- 'A' = PRODUCTION WIDTH (PW)
- 'B' = PRODUCTION HEIGHT (PH)
- 'C' = 'A' + 7.50in [190mm]
- 'D1' (NOT USED)
- 'D2' = 'B' + 0.91in [23mm]
- 'D3' = 'B' + 21.38in [542mm]

**APPROVAL SIGNATURE**

FABRICATION CAN PROCEED ACCORDING TO THE SPECIFICATION SHOWN EXCEPT AS NOTED

APPROVED BY: \_\_\_\_\_

PRINT NAME: \_\_\_\_\_

SIGNATURE: \_\_\_\_\_

DATE: \_\_\_\_\_

**RYTEC CORPORATION**  
 ONE CEDAR PARKWAY, JACKSON, WI 53037-0403

APPROVAL DRAWING  
 SPIRAL MODEL VPD - DIRECT DRIVE  
 STANDARD LIFT

CUSTOMER: \_\_\_\_\_

FOR DOOR WIDTH UP TO 14'-0" HEIGHT UP TO 14'-0"

LOCATION: \_\_\_\_\_

DATE: \_\_\_\_\_

DRAWING NO.: 401074-39T-S

REV	DESCRIPTION	DATE	BY

DRAWING NOT TO SCALE. DIMENSIONS IN INCHES

DOOR NO.	A	B	HI-LIFT	C	D1	D2	D3
MILLIMETERS					N/A		

ACTUAL DOOR SIZE IS PRODUCED IN MILLIMETER  
REQUESTED DOOR SIZE IS CONVERTED TO MILLIMETERS  
AND ROUNDED UP TO THE NEAREST 10MM

**ELECTRICAL OPTIONS**

- 460v - 3ph
- 230v/208v - 3ph
- 230v/208v - 1ph
- 575v - 3ph (INCLUDES NEMA 4 METAL ENCLOSURE WITH 575/480 TRANSFORMER)

**STANDARD FEATURES**

1. ONE THRU-BEAM PHOTOEYE SET MOUNTED IN SIDE COLUMN AT 4" FROM FLOOR.
2. VARIABLE DOOR OPENING SPEED; UP TO 12"/SEC
3. DOOR CLOSING SPEED OF 12"/SECOND
4. PROGRAMMABLE UPPER AND LOWER LIMITS
5. NEMA 4X SYSTEM 4 CONTROL BOX (8.5"x16.5")

**STANDARD OPTIONS**

- CHAIN HOIST
- RIGHT HAND DRIVE
- ROTARY DISCONNECT
- SELECTOR SWITCH ON CONTROL BOX

**PANEL OPTIONS**

- INSULATED SOLID SLATS
- WINDOWS
- VENTS
- UP TO FOUR (4) VISION/VENT SLATS PER GROUP WITH AT LEAST ONE (1) SOLID SLAT SEPARATING GROUPS
- OR UP TO SEVEN (7) VISION/VENT SLATS PER GROUP W/ AT LEAST TWO (2) SOLID SLATS SEPARATING GROUPS

**ACTIVATION**

- PUSHBUTTON
- PULL CORDS
- MOTION DETECTOR
- PRESENCE DET.
- MOTION/PRESENCE
- DUAL LOOP CONTROLLER
- RADIO CONTROL RCVR (INCLUDE MIN 2 XMIT)
- 1 BTN TRANSMITTER
- 2 BTN TRANSMITTER
- 4 BTN TRANSMITTER

**OPTION NOTES:**

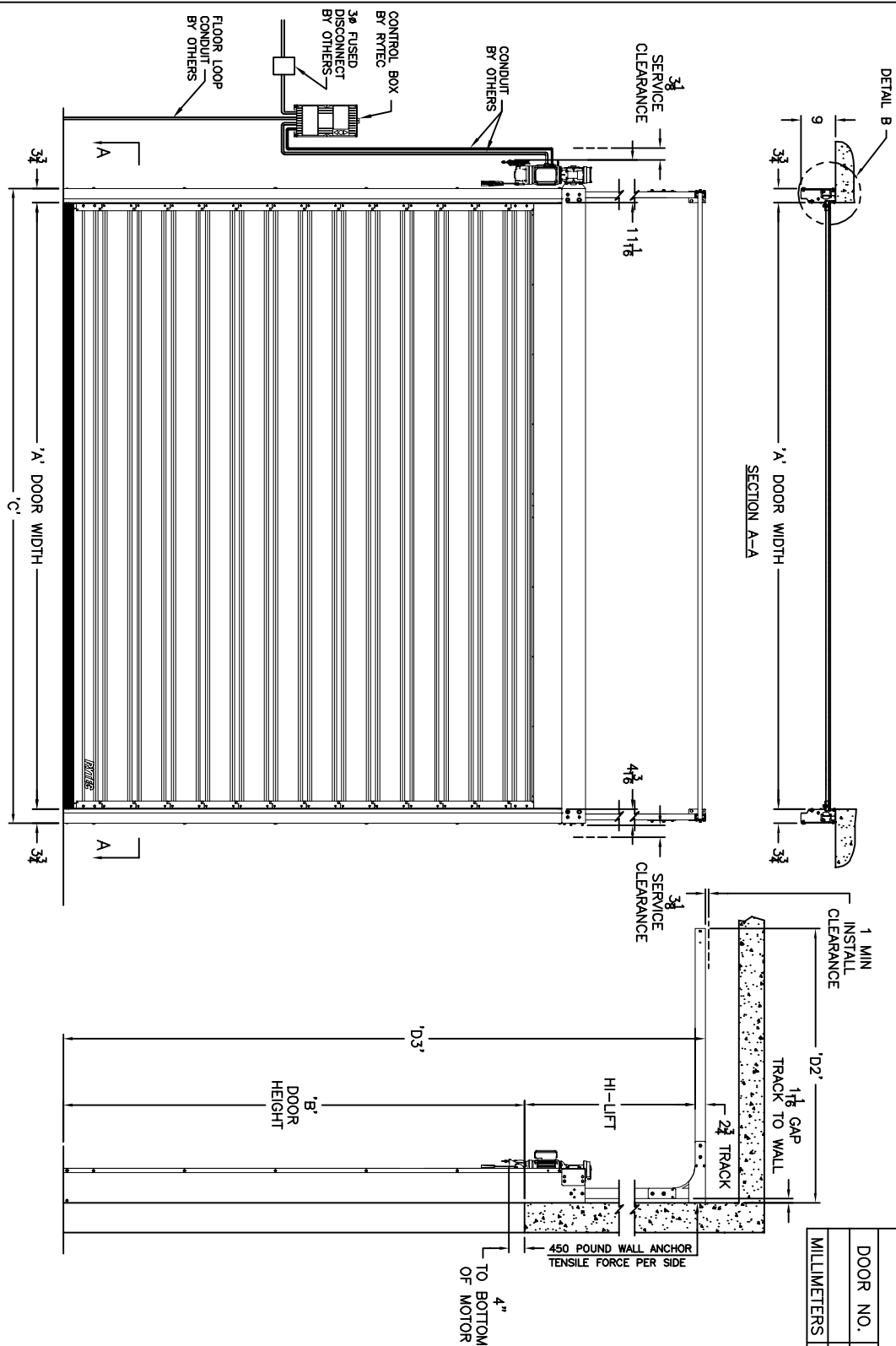
\*\*\*PLEASE SPECIFY VOLTAGE\*\*\*

**RYTEC CORPORATION**  
APPROVAL DRAWING  
SPIRAL MODEL VPD - DIRECT DRIVE  
HIGH LIFT  
ONE CEDAR PARKWAY, JACKSON, WI 53037-0403

APPROVAL SIGNATURE  
FABRICATION CAN PROCEED ACCORDING TO THE SPECIFICATION SHOWN EXCEPT AS NOTED

APPROVED BY:  
PRINT NAME:  
SIGNATURE:

CUSTOMER:  
LOCATION:  
DATE:  
DRAWING NO.: 401074-39T-H



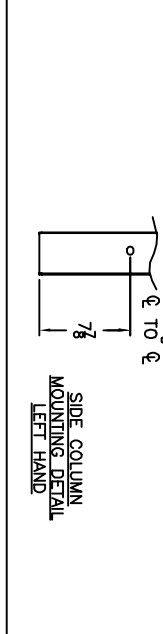
**FORMULAS**

- 'A' = PRODUCTION WIDTH (PW)
- 'B' = PRODUCTION HEIGHT (PH)
- 'C' = 'A' + 7.50in [190mm]
- 'D1' = (NOT USED)
- 'D2' = 'B' - HI-LIFT + 19.53in [496mm]
- 'D3' = 'B' + HI-LIFT + 2.75in [70mm]
- MAX HI-LIFT = 'B' + 1.50in [38mm]
- MIN HI-LIFT = 29.00in [737mm]

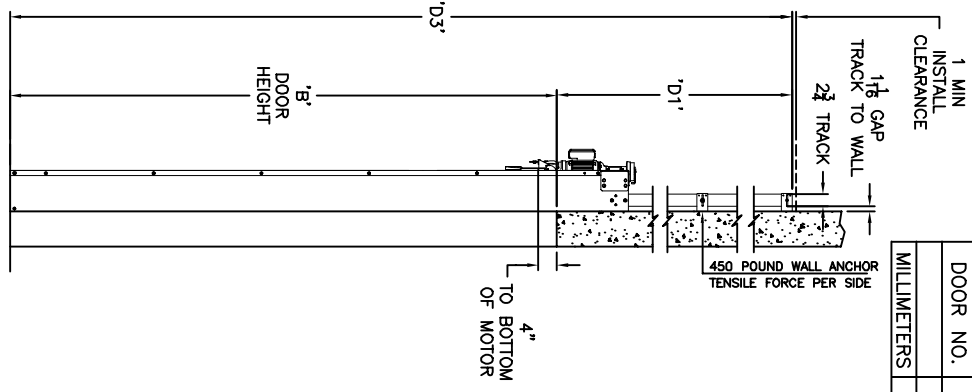
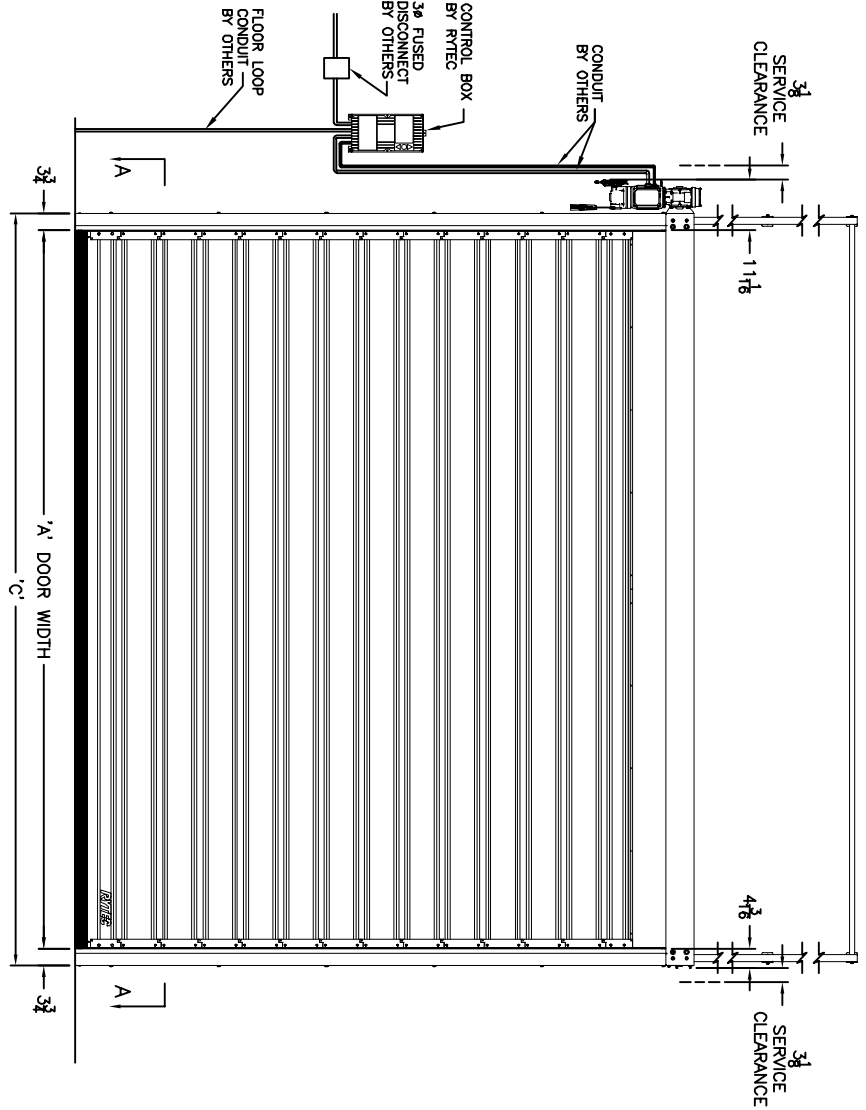
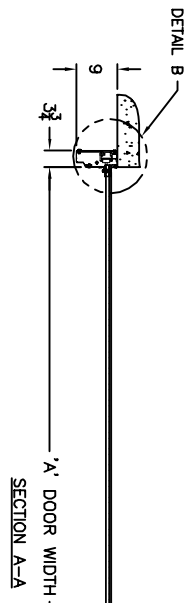
**APPROVAL SIGNATURE**

APPROVED BY:  
PRINT NAME:  
SIGNATURE:

REV	DESCRIPTION	DATE	BY



DRAWING NOT TO SCALE. DIMENSIONS IN INCHES



DOOR NO.	A	B	HI-LIFT	C	D1	D2	D3
MILLIMETERS	N/A	N/A	N/A	N/A	N/A	N/A	N/A

ACTUAL DOOR SIZE IS PRODUCED IN MILLIMETER REQUESTED DOOR SIZE IS CONVERTED TO MILLIMETERS AND ROUNDED UP TO THE NEAREST 10MM

- ELECTRICAL OPTIONS**
- 460v - 3ph
  - 230v/208v - 3ph
  - 230v/208v - 1ph
  - 575v - 3ph (INCLUDES NEMA 4 METAL ENCLOSURE WITH 575/480 TRANSFORMER)

- STANDARD FEATURES**
1. ONE THRU-BEAM PHOTOEYE SET MOUNTED IN SIDE COLUMN AT 4" FROM FLOOR.
  2. VARIABLE DOOR OPENING SPEED; UP TO 12"/SEC
  3. DOOR CLOSING SPEED OF 12"/SECOND
  4. PROGRAMMABLE UPPER AND LOWER LIMITS
  5. NEMA 4X SYSTEM 4 CONTROL BOX (8.5"x16.5")

- STANDARD OPTIONS**
- CHAIN HOIST
  - RIGHT HAND DRIVE
  - ROTARY DISCONNECT
  - SELECTOR SWITCH ON CONTROL BOX

- PANEL OPTIONS**
- INSULATED SOLID SLATS
  - WINDOWS:  1  2  3  4  OTHER
  - VENTS:  1  2  3  4  OTHER

- UP TO FOUR (4) VISION/VENT SLATS PER GROUP WITH AT LEAST ONE (1) SOLID SLAT SEPARATING GROUPS OR UP TO SEVEN (7) VISION/VENT SLATS PER GROUP W/ AT LEAST TWO (2) SOLID SLATS SEPARATING GROUPS
- ACTIVATION**
- PUSHBUTTON
  - PULL CORDS
  - MOTION DETECTOR
  - PRESENCE DET.
  - MOTION/PRESENCE
  - DUAL LOOP CONTROLLER
  - RADIO CONTROL RCVR (INCLUDE MIN 2 XMIT)
  - 1 BTN TRANSMITTER
  - 2 BTN TRANSMITTER
  - 4 BTN TRANSMITTER

**OPTION NOTES:**

\*\*\*PLEASE SPECIFY VOLTAGE\*\*\*

**FORMULAS**

'A' = PRODUCTION WIDTH (PW)  
 'B' = PRODUCTION HEIGHT (PH)  
 'C' = 'A' + 7.50in [190mm]  
 'D1' = 'B' + 15.50in [393mm]  
 'D2' (NOT USED)  
 'D3' = 'B' + 'D1'

**APPROVAL SIGNATURE**

FABRICATION CAN PROCEED ACCORDING TO THE SPECIFICATION SHOWN EXCEPT AS NOTED

APPROVED BY: \_\_\_\_\_

PRINT NAME: \_\_\_\_\_

SIGNATURE: \_\_\_\_\_

DATE: \_\_\_\_\_

**RYTEC CORPORATION**

APPROVAL DRAWING

SPIRAL MODEL VPD - DIRECT DRIVE VERTICAL LIFT

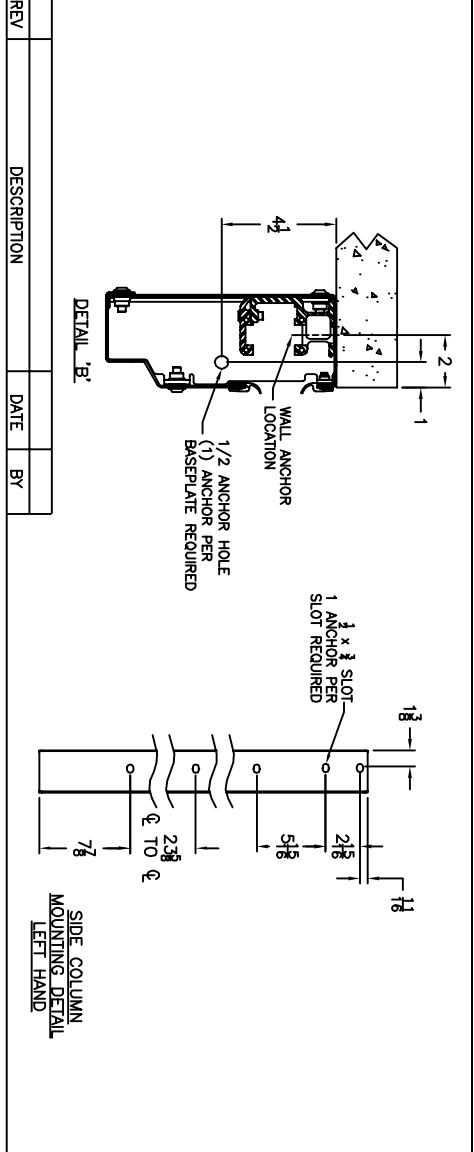
FOR DOOR WIDTH UP TO 14'-0" HEIGHT UP TO 14'-0"

CUSTOMER: \_\_\_\_\_

LOCATION: \_\_\_\_\_

DATE: \_\_\_\_\_

DRAWING NO.: 401074-39T-V



REV	DESCRIPTION	DATE	BY