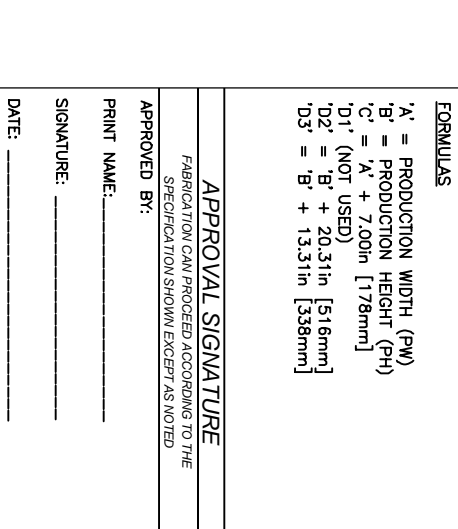
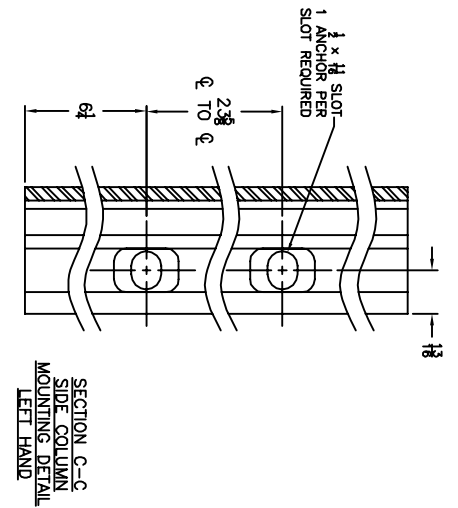


REV	DESCRIPTION	DATE	BY



REV	DESCRIPTION	DATE	BY

DRAWING NOT TO SCALE. DIMENSIONS IN INCHES

DOOR NO.	A	B	HI-LIFT	C	D1	D2	D3
			N/A		13.31		
MILLIMETERS			N/A		338		

ACTUAL DOOR SIZE IS PRODUCED IN MILLIMETER
 REQUESTED DOOR SIZE IS CONVERTED TO MILLIMETERS
 AND ROUNDED UP TO THE NEAREST 10MM

ELECTRICAL OPTIONS

ALL DOORS ARE 120V SINGLE PHASE

- STANDARD FEATURES**
1. LIFTMASTER OPERATOR.
 2. ONE THRU-BEAM PHOTOEYE SET.
 3. DOOR OPENING SPEED OF 8"/SECOND.
 4. DOOR CLOSING SPEED OF 8"/SECOND.
 5. ONE (1) O/C/S PUSHBUTTON.

- STANDARD OPTIONS**
- CHAIN HOIST
 - RIGHT HAND DRIVE

- ACTIVATION**
- PUSHBUTTON
 - PULL CORDS
 - RADIO CONTROL RCVR (INCLUDE MIN 2 XMIT)
 - 1 BTN TRANSMITTER
 - 3 BTN TRANSMITTER

OPTION NOTES

ADDITIONAL NOTES:

FORMULAS

- 'A' = PRODUCTION WIDTH (PW)
- 'B' = PRODUCTION HEIGHT (PH)
- 'C' = 'A' + 7.00in [178mm]
- 'D1' (NOT USED)
- 'D2' = 'B' + 20.31in [516mm]
- 'D3' = 'B' + 13.31in [338mm]

APPROVAL SIGNATURE

FABRICATION CAN PROCEED ACCORDING TO THE SPECIFICATION SHOWN EXCEPT AS NOTED

APPROVED BY:

PRINT NAME:

SIGNATURE:

DATE:

RYTEC CORPORATION

ONE CEDAR PARKWAY, JACKSON, WI 53037-0403

APPROVAL DRAWING

SPIRAL FV MODEL VPB - BALANCED STANDARD LIFT

CUSTOMER: FOR DOOR WIDTH UP TO 140", HEIGHT UP TO 14'-0"

LOCATION:

DATE: DRAWING NO.: 401074-38T-S

DRAWING NOT TO SCALE. DIMENSIONS IN INCHES

DOOR NO.	A	B	HI-LIFT	C	D1	D2	D3
MILLIMETERS							

ACTUAL DOOR SIZE IS PRODUCED IN MILLIMETER
REQUESTED DOOR SIZE IS CONVERTED TO MILLIMETERS
AND ROUNDED UP TO THE NEAREST 10MM

ELECTRICAL OPTIONS

ALL DOORS ARE 120V SINGLE PHASE

STANDARD FEATURES

1. LIFTMASTER OPERATOR.
2. ONE THRU-BEAM PHOTOEYE SET.
3. DOOR OPENING SPEED OF 8"/SECOND.
4. DOOR CLOSING SPEED OF 8"/SECOND.
5. ONE (1) O/C/S PUSHBUTTON.

STANDARD OPTIONS

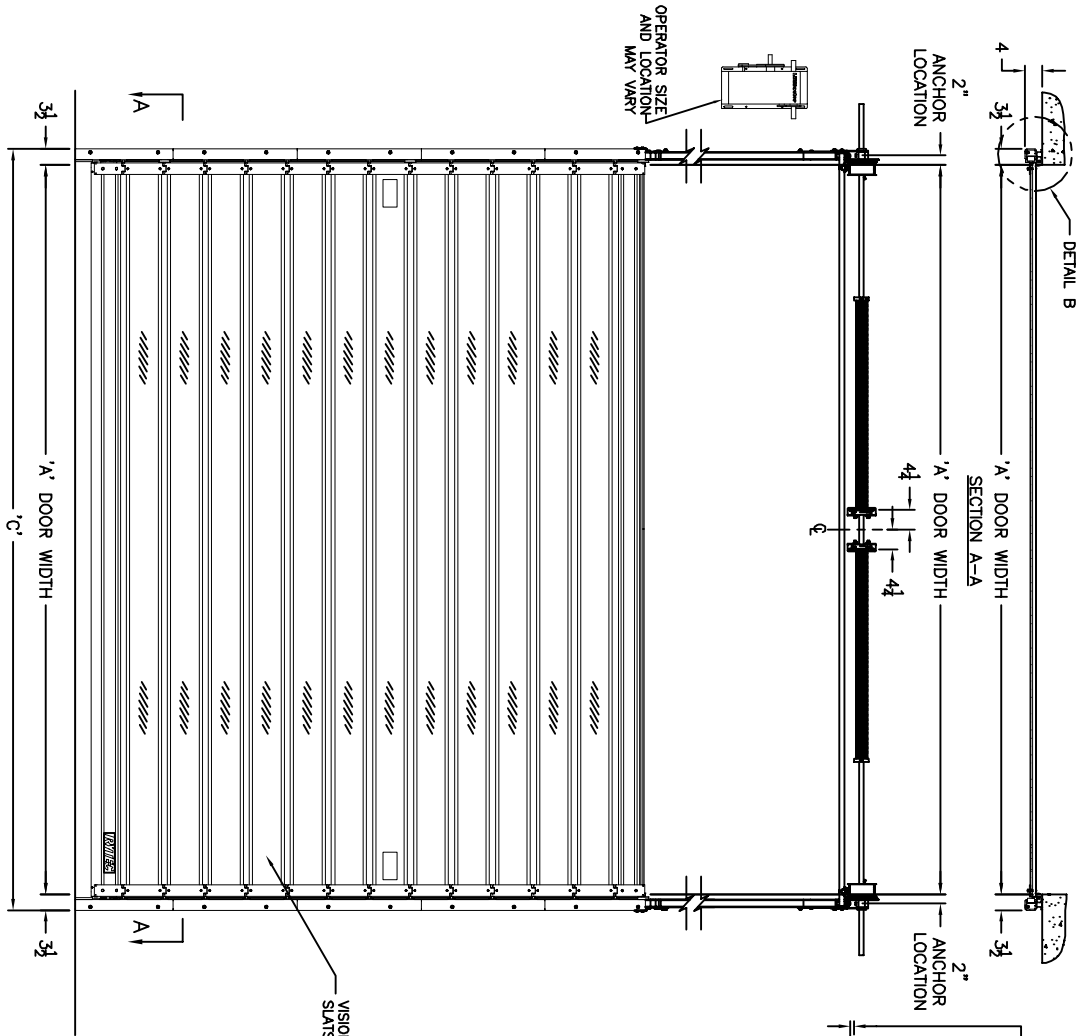
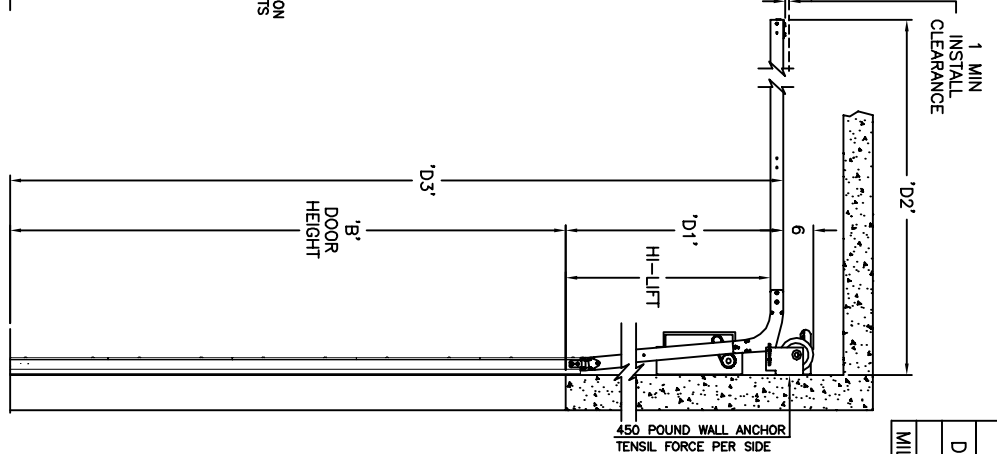
- CHAIN HOIST
- RIGHT HAND DRIVE

ACTIVATION

- PUSHBUTTON RADIO CONTROL RCVR (INCLUDE MIN 2 XMIT)
- PULL CORDS 1 BTN TRANSMITTER
- 3 BTN TRANSMITTER

OPTION NOTES

ADDITIONAL NOTES:



FORMULAS

- 'A' = PRODUCTION WIDTH (PW)
- 'B' = PRODUCTION HEIGHT (PH)
- 'C' = 'A' + 7.00in [178mm]
- 'D1' = HI-LIFT + 2.70in [69mm]
- 'D2' = 'B' - HI-LIFT + 20.31in [516mm]
- 'D3' = 'B' + 'D1'
- MAX HI-LIFT = 54.00in [1372mm]
- MIN HI-LIFT = 18.00in [457mm]

APPROVAL SIGNATURE

FABRICATION CAN PROCEED ACCORDING TO THE SPECIFICATION SHOWN EXCEPT AS NOTED

APPROVED BY:

PRINT NAME:

SIGNATURE:

DATE:

RYTEC CORPORATION
ONE CEDAR PARKWAY, JACKSON, WI 53037-0403

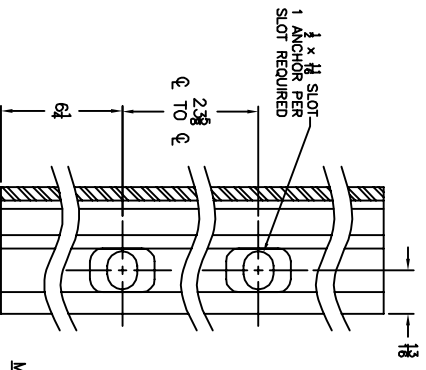
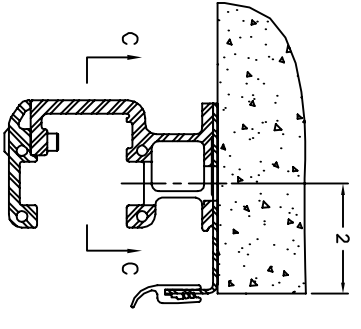
APPROVAL DRAWING
SPIRAL FV MODEL VPB - BALANCED HIGH LIFT

CUSTOMER:
FOR DOOR WIDTH UP TO 140", HEIGHT UP TO 14'-0"

LOCATION:

DATE:

DRAWING NO.: 401074-38T-H



REV	DESCRIPTION	DATE	BY

DRAWING NOT TO SCALE. DIMENSIONS IN INCHES

DOOR NO.	A	B	HI-LIFT	C	D1	D2	D3
MILLIMETERS	N/A	N/A	N/A	N/A	N/A	N/A	N/A

ACTUAL DOOR SIZE IS PRODUCED IN MILLIMETER REQUESTED DOOR SIZE IS CONVERTED TO MILLIMETERS AND ROUNDED UP TO THE NEAREST 10MM

ELECTRICAL OPTIONS

ALL DOORS ARE 120V SINGLE PHASE

STANDARD FEATURES

1. LIFTMASTER OPERATOR.
2. ONE THRU-BEAM PHOTOE. SET.
3. DOOR OPENING SPEED OF 8"/SECOND.
4. DOOR CLOSING SPEED OF 8"/SECOND.
5. ONE (1) O/C/S PUSHBUTTON.

STANDARD OPTIONS

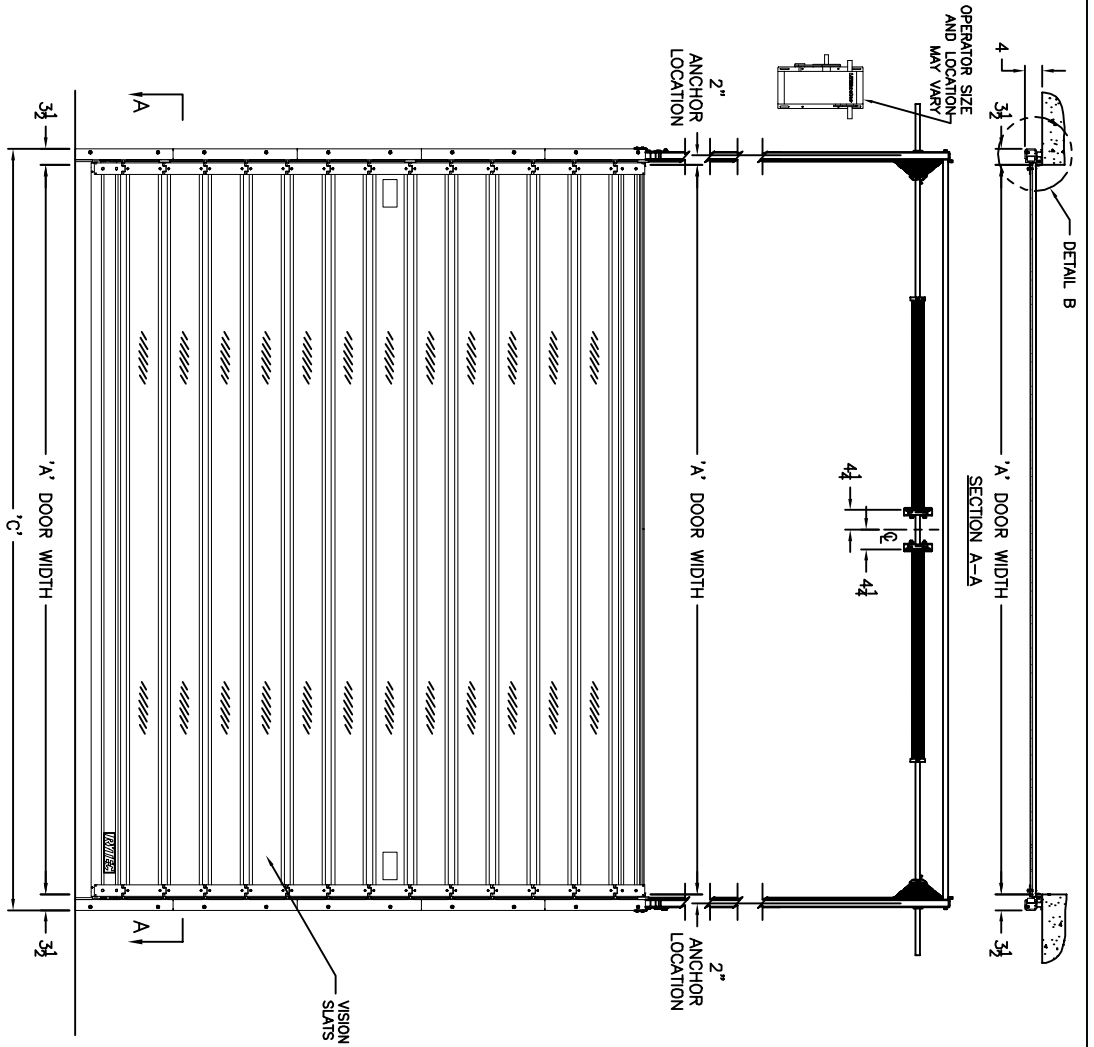
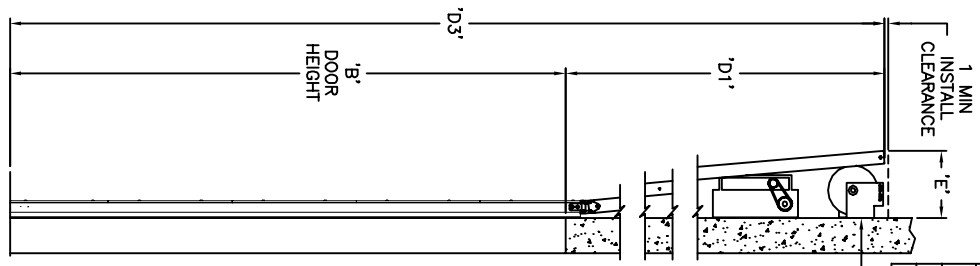
- CHAIN HOIST
- RIGHT HAND DRIVE

ACTIVATION

- PUSHBUTTON
- PULL CORDS
- RADIO CONTROL RCVR (INCLUDE MIN 2 XMIT)
- 1 BTN TRANSMITTER
- 3 BTN TRANSMITTER

OPTION NOTES

ADDITIONAL NOTES:



FORMULAS

- A' = PRODUCTION WIDTH (PW)
- B' = PRODUCTION HEIGHT (PH)
- C' = A' + 7.00in [178mm]
- D1' = B' + 6.85in [174mm]
- D2' (NOT USED)
- D3' = B' + D1'
- E' (MIN) = 15.50in [394mm]
- E' (MAX) = 20.25in [514mm]

APPROVAL SIGNATURE

FABRICATION CAN PROCEED ACCORDING TO THE SPECIFICATION SHOWN EXCEPT AS NOTED

APPROVED BY:

PRINT NAME:

SIGNATURE:

DATE:

RYTEC CORPORATION
ONE CEDAR PARKWAY, JACKSON, WI 53037-0403

APPROVAL DRAWING

SPIRAL FV MODEL VPB - BALANCED VERTICAL LIFT

FOR DOOR WIDTH UP TO 140", HEIGHT UP TO 14'-0"

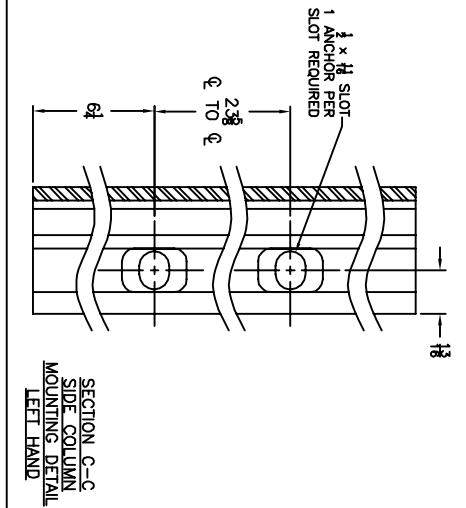
CUSTOMER:

LOCATION:

DATE:

DRAWING NO.: 401074-38T-V

REV	DESCRIPTION	DATE	BY



REV	DESCRIPTION	DATE	BY