

DRAWING NOT TO SCALE. DIMENSIONS IN INCHES

DOOR NO.	A	B	HI-LIFT	C	D1	D2	D3
MILLIMETERS							

ACTUAL DOOR SIZE IS PRODUCED IN MILLIMETER REQUESTED DOOR SIZE IS CONVERTED TO MILLIMETERS AND ROUNDED UP TO THE NEAREST 10MM

ELECTRICAL OPTIONS

ALL DOORS ARE 120V SINGLE PHASE

- STANDARD FEATURES**
- LIFTMASTER OPERATOR.
 - ONE THRU-BEAM PHOTOEYE SET.
 - DOOR OPENING SPEED OF 8"/SECOND.
 - DOOR CLOSING SPEED OF 8"/SECOND.
 - ONE (1) O/C/S PUSHBUTTON.

- STANDARD OPTIONS**
- CHAIN HOIST
 - RIGHT HAND DRIVE

- PANEL OPTIONS**
- INSULATED SOLID SLATS
 - WINDOWS
 - 1
 - 2
 - 3
 - 4
 - OTHER
 - VENTS
 - 1
 - 2
 - 3
 - 4
 - OTHER

UP TO FOUR (4) VISION/VENT SLATS PER GROUP WITH AT LEAST ONE (1) SOLID SLAT SEPARATING GROUPS OR UP TO SEVEN (7) VISION/VENT SLATS PER GROUP W/ AT LEAST TWO (2) SOLID SLATS SEPARATING GROUPS.

- ACTIVATION**
- PUSHBUTTON
 - PULL CORRS
 - RADIO CONTROL RCVR (INCLUDE MIN 2 XMIT)
 - 1 BTN TRANSMITTER
 - 3 BTN TRANSMITTER

OPTION NOTES:

FORMULAS

'A' = PRODUCTION WIDTH (PW)
 'B' = PRODUCTION HEIGHT (PH)
 'C' = 'A' + 7.00in [178mm]
 'D1' (NOT USED)
 'D2' = 'B' + 20.31in [516mm]
 'D3' = 'B' + 13.31in [338mm]

APPROVAL SIGNATURE

FABRICATION CAN PROCEED ACCORDING TO THE SPECIFICATION SHOWN EXCEPT AS NOTED

APPROVED BY: _____

PRINT NAME: _____

SIGNATURE: _____

DATE: _____

RYTEC CORPORATION

ONE CEDAR PARKWAY, JACKSON, WI 53037-0403

APPROVAL DRAWING

SPIRAL MODEL VPB - BALANCED STANDARD LIFT

FOR DOOR WIDTH UP TO 140", HEIGHT UP TO 14'-0"

CUSTOMER: _____

LOCATION: _____

DATE: _____

DRAWING NO.: 401074-37T-S

REV	DESCRIPTION	DATE	BY

DRAWING NOT TO SCALE. DIMENSIONS IN INCHES

DOOR NO.	A	B	HI-LIFT	C	D1	D2	D3
MILLIMETERS							

ACTUAL DOOR SIZE IS PRODUCED IN MILLIMETER
REQUESTED DOOR SIZE IS CONVERTED TO MILLIMETERS
AND ROUNDED UP TO THE NEAREST 10MM

ELECTRICAL OPTIONS

ALL DOORS ARE 120V SINGLE PHASE

STANDARD FEATURES

- LIFTMASTER OPERATOR.
- ONE THRU-BEAM PHOTOEYE SET.
- DOOR OPENING SPEED OF 8"/SECOND.
- DOOR CLOSING SPEED OF 8"/SECOND.
- ONE (1) O/C/S PUSHBUTTON.

STANDARD OPTIONS

- CHAIN HOIST
- RIGHT HAND DRIVE

PANEL OPTIONS

- INSULATED SOLID SLATS
- WINDOWS 1 2 3 4 OTHER _____
- VENTS 1 2 3 4 OTHER _____

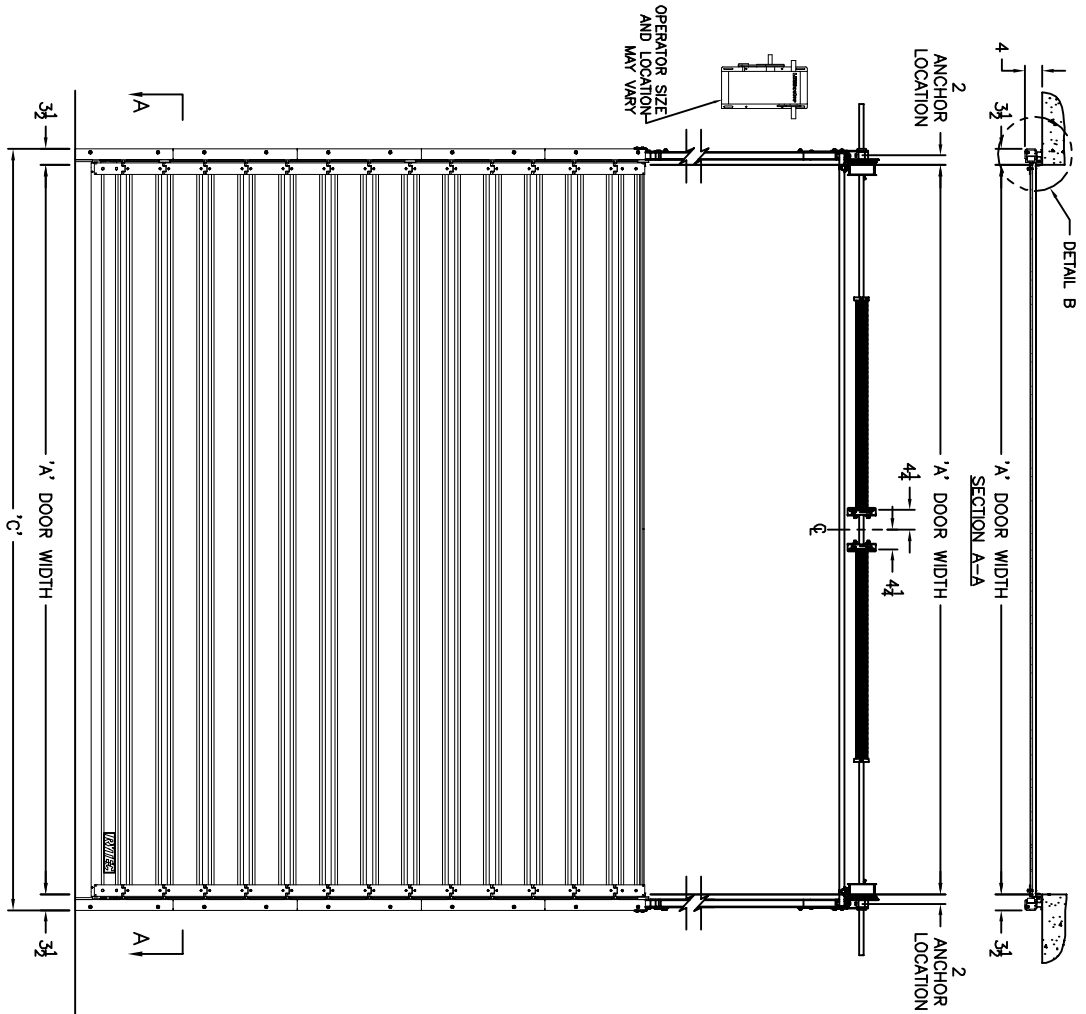
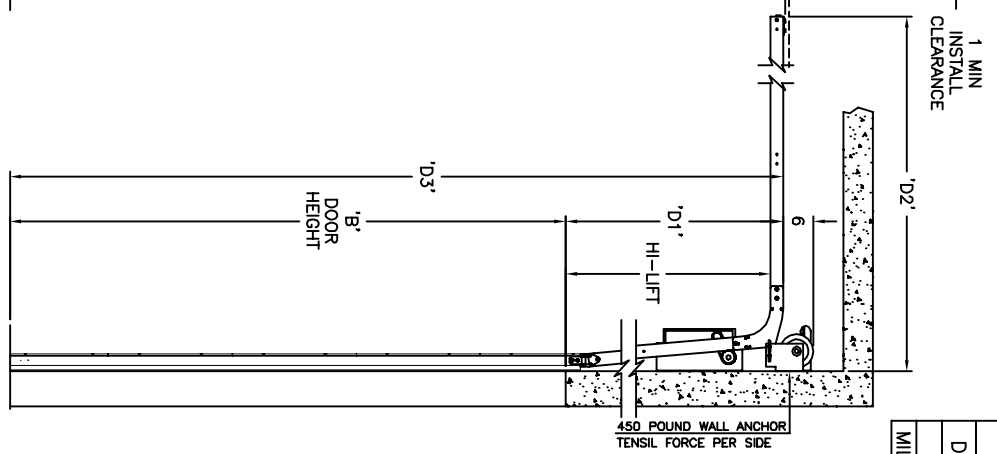
UP TO FOUR (4) VISION/VENT SLATS PER GROUP WITH
AT LEAST ONE (1) SOLID SLAT SEPARATING GROUPS
OR UP TO SEVEN (7) VISION/VENT SLATS PER GROUP
W/ AT LEAST TWO (2) SOLID SLATS SEPARATING GROUPS.

ACTIVATION

- PUSHBUTTON RADIO CONTROL RCVR (INCLUDE MIN 2 XMIT)
- PULL CORDS 1 BTN TRANSMITTER 3 BTN TRANSMITTER

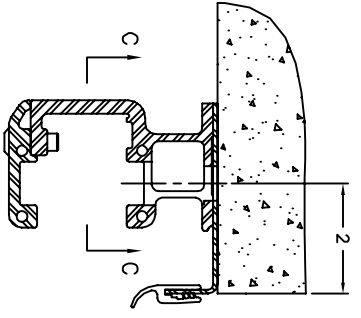
OPTION NOTES

ADDITIONAL NOTES:

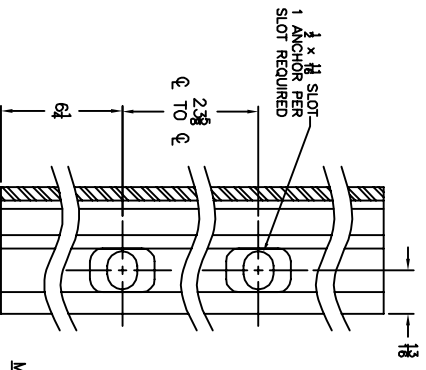


DETAIL B

SECTION A-A



DETAIL 'B'



SECTION C-C
SIDE COLUMN
MOUNTING DETAIL
LEFT HAND

FORMULAS

- 'A' = PRODUCTION WIDTH (PW)
- 'B' = PRODUCTION HEIGHT (PH)
- 'C' = 'A' + 7.00in [178mm]
- 'D1' = HI-LIFT + 2.70in [69mm]
- 'D2' = 'B' - HI-LIFT + 20.31in [516mm]
- 'D3' = 'B' + 'D1'

MAX HI-LIFT = 54.00in [1372mm]
MIN HI-LIFT = 18.00in [457mm]

APPROVAL SIGNATURE

FABRICATION CAN PROCEED ACCORDING TO THE
SPECIFICATION SHOWN EXCEPT AS NOTED

APPROVED BY: _____

PRINT NAME: _____

SIGNATURE: _____

DATE: _____

RYTEC CORPORATION
ONE CEDAR PARKWAY, JACKSON, WI 53037-0403

APPROVAL DRAWING
**SPIRAL MODEL VPB - BALANCED
HIGH LIFT**

FOR DOOR WIDTH UP TO 140", HEIGHT UP TO 14'-0"

CUSTOMER: _____

LOCATION: _____

DATE: _____

DRAWING NO.: 401074-37T-H

REV	DESCRIPTION	DATE	BY

DRAWING NOT TO SCALE. DIMENSIONS IN INCHES

DOOR NO.	A	B	HI-LIFT	C	D1	D2	D3
MILLIMETERS							

ACTUAL DOOR SIZE IS PRODUCED IN MILLIMETER REQUESTED DOOR SIZE IS CONVERTED TO MILLIMETERS AND ROUNDED UP TO THE NEAREST 10MM

ELECTRICAL OPTIONS

ALL DOORS ARE 120V SINGLE PHASE

STANDARD FEATURES

1. LIFTMASTER OPERATOR.
2. ONE THRU-BEAM PHOTOEYE SET.
3. DOOR OPENING SPEED OF 8"/SECOND.
4. DOOR CLOSING SPEED OF 8"/SECOND.
5. ONE (1) O/C/S PUSHBUTTON.

STANDARD OPTIONS

- CHAIN HOIST
- RIGHT HAND DRIVE

PANEL OPTIONS

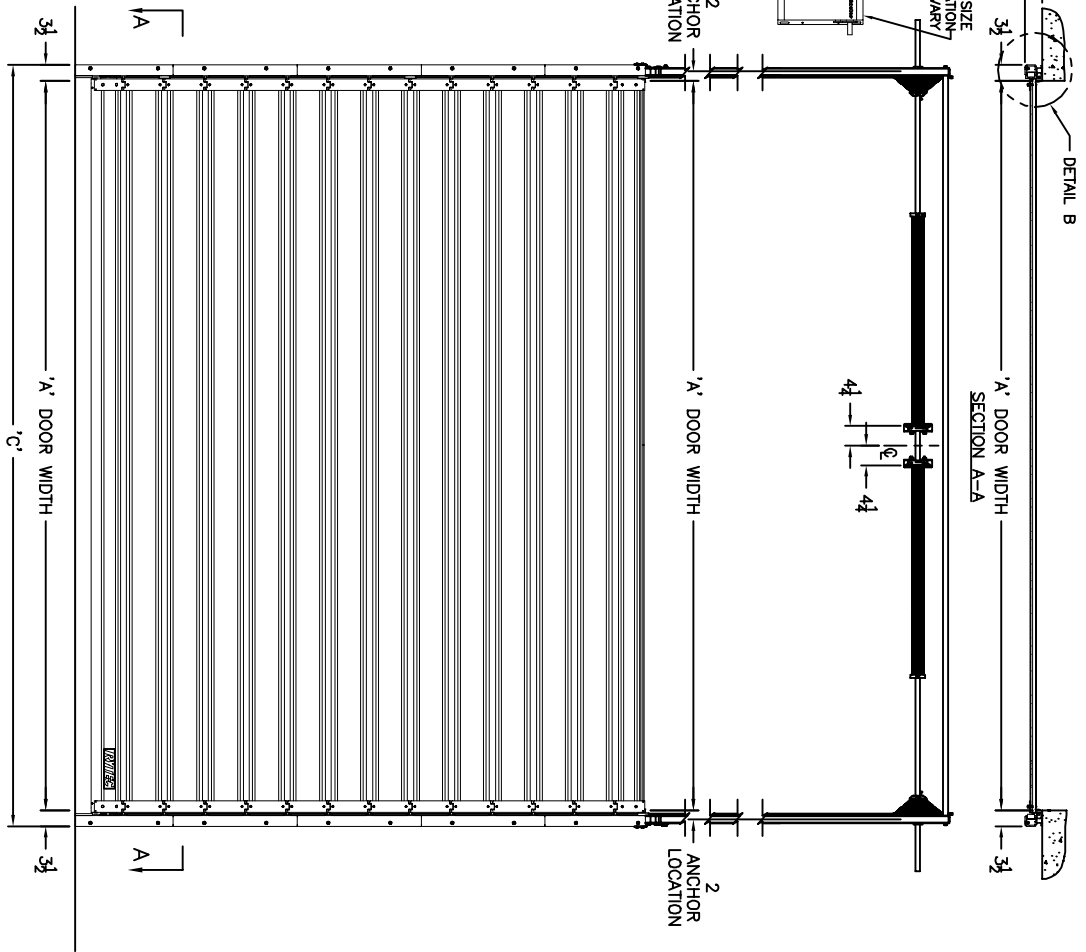
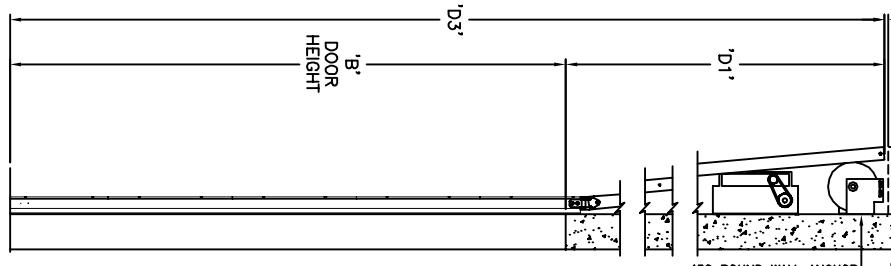
- INSULATED SOLID SLATS
- WINDOWS
 - 1 2 3 4 OTHER _____
 - 1 2 3 4 OTHER _____
- UP TO FOUR (4) VISION/VENT SLATS PER GROUP WITH AT LEAST ONE (1) SOLID SLAT SEPARATING GROUPS OR UP TO SEVEN (7) VISION/VENT SLATS PER GROUP W/ AT LEAST TWO (2) SOLID SLATS SEPARATING GROUPS.

ACTIVATION

- PUSHBUTTON RADIO CONTROL RCVR (INCLUDE MIN 2 XMIT)
- PULL CORBS 1 BTN TRANSMITTER 3 BTN TRANSMITTER

OPTION NOTES

ADDITIONAL NOTES:



FORMULAS

- 'A' = PRODUCTION WIDTH (PW)
- 'B' = PRODUCTION HEIGHT (PH)
- 'C' = 'A' + 7.00in [178mm]
- 'D1' = 'B' + 6.85in [174mm]
- 'D2' (NOT USED)
- 'D3' = 'B' + 'D1'
- 'E' (MIN) = 15.50in [394mm]
- 'E' (MAX) = 20.25in [514mm]

APPROVAL SIGNATURE

FABRICATION CAN PROCEED ACCORDING TO THE SPECIFICATION SHOWN EXCEPT AS NOTED

APPROVED BY: _____

PRINT NAME: _____

SIGNATURE: _____

DATE: _____

RYTEC CORPORATION
ONE CEDAR PARKWAY, JACKSON, WI 53037-0403

APPROVAL DRAWING
SPIRAL MODEL VPB - BALANCED VERTICAL LIFT

CUSTOMER: _____
FOR DOOR WIDTH UP TO 140", HEIGHT UP TO 14'-0"

LOCATION: _____

DATE: _____

DRAWING NO.: 401074-37T-V

REV	DESCRIPTION	DATE	BY

