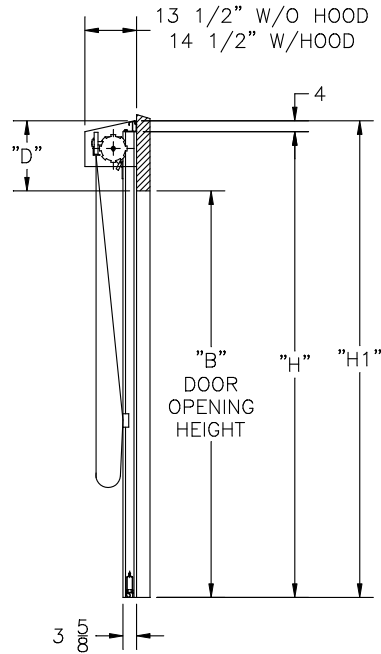
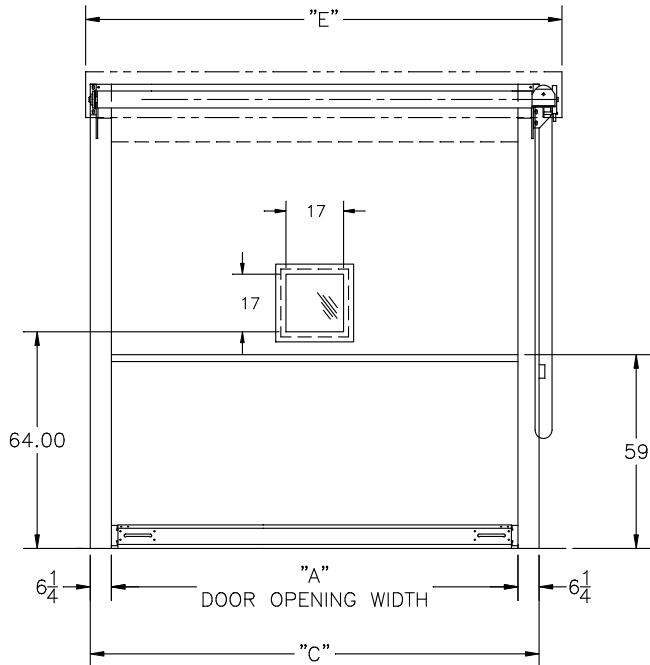
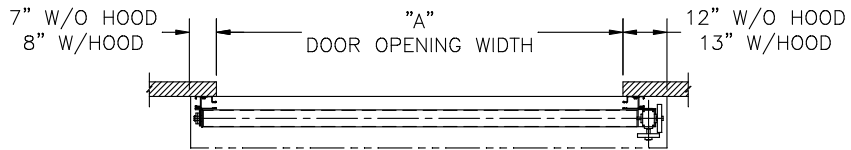


DRAWING NOT TO SCALE, ALL DIMENSIONS IN INCHES

DOOR NO.	A	B	C	D	E	H	H <sub>1</sub>



NOTE!

DRAWING SHOWS R.H. MANUAL DRIVE ASSEMBLY  
L.H. ASSEMBLY IS OPPOSITE SHOWN

NOTES:

- 1) BOTTOM BAR SAFETY LOCKS ARE STANDARD.
- 2) CUSTOMER TO ADVISE PANEL COLOR

- MODEL: MD - 600
- PANEL MATL:  VINYL
- PANEL COLOR:  
 ORANGE  BLUE
- PANEL MATL:  2-PLY RILON
- PANEL COLOR:  
 ORANGE  BLUE  
 BROWN  RED(LTD STK)
- PANEL MATL:  SCREEN MESH
- PANEL COLOR:  
 BLACK  BLUE

OPTIONS

- HOOD
- WINDOW  ONE  TWO  FULL VISION
- WINDRIB  ONE  TWO
- LEFT HAND ASSEMBLY
- CHAIN HOIST  LEFT  RIGHT
- OTHERS SEE NOTES

ADDITIONAL NOTES

- STANDARD DOOR W/O HOOD  
D = 17"  
H = B + 17"  
E = A + 19"
- WITH SLANT HOOD (OPTION)  
D = 21"  
H<sub>1</sub> = B + 21"  
E = A + 21"

**RYTEC CORPORATION**  
**MAN-U-ROLL II® APPROVAL**

CUSTOMER: \_\_\_\_\_ PROJECT: \_\_\_\_\_

ADDRESS: \_\_\_\_\_ DEALER: \_\_\_\_\_

DATE: \_\_\_\_\_ APPR'D BY: \_\_\_\_\_

FILE #: 5-B-005 REV. A APPR'D DATE: \_\_\_\_\_