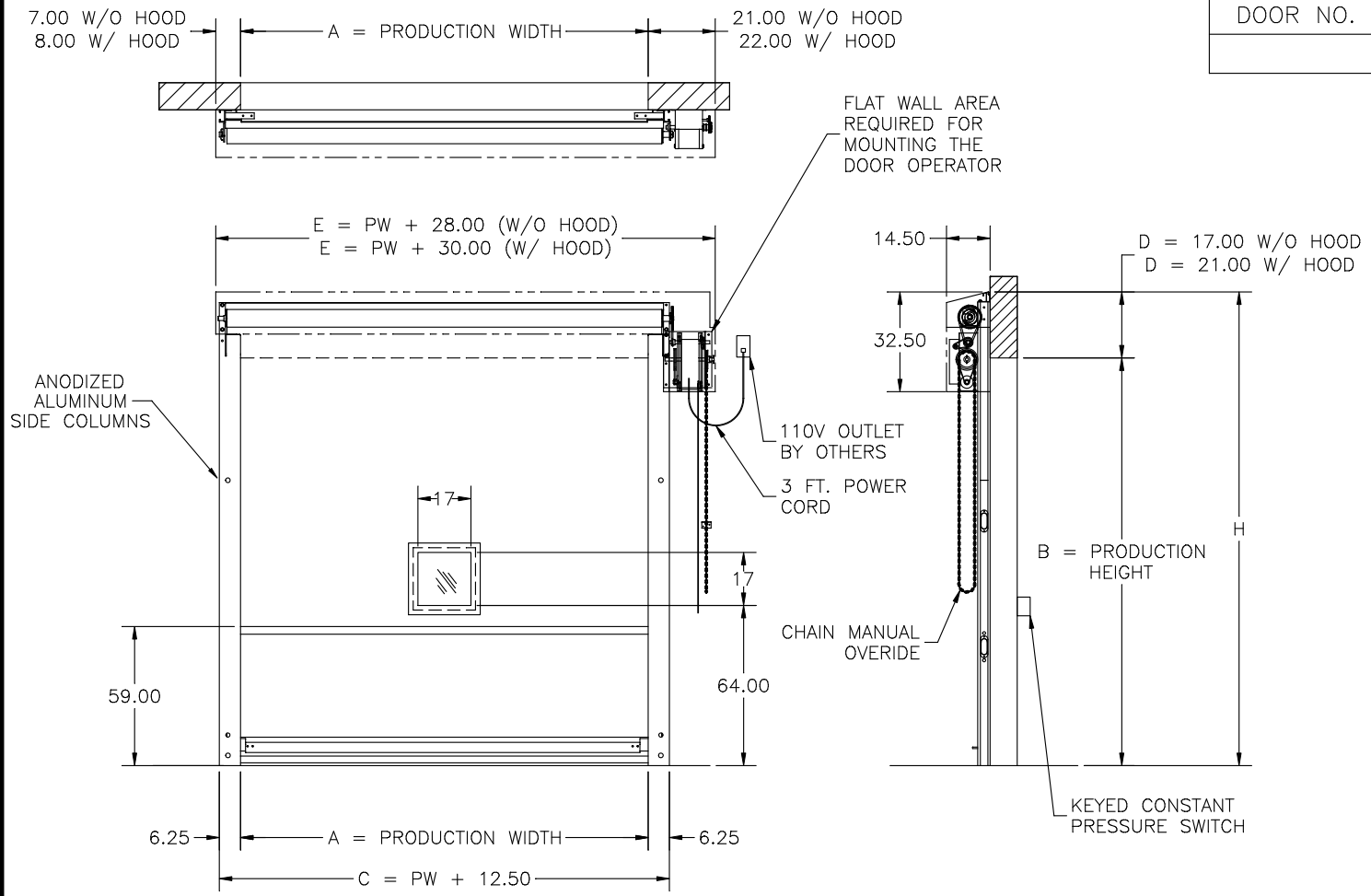


DRAWING NOT TO SCALE, ALL DIMENSIONS IN INCHES

DOOR NO.	A	B	C	D	E	H



RH DRIVE SHOWN, LH OPPOSITE

MODEL: MD-600-OP
PANEL MATERIAL: 22 OZ. VINYL
PANEL COLOR: RED

- COSTCO SPECIFICATION TO INCLUDE:
- 1) INDUSTRIAL DUTY GEAR HEAD DOOR OPERATOR, LIFTMASTER MODEL MH.
 - 2) LIFT MASTER DOOR OPERATOR, MH, IS TO BE MOUNTED DIRECTLY TO THE WALL. THE DIMENSIONS SHOWN ARE APPROXIMATE.
 - 3) MH DOOR OPERATOR WITH 3 FT., 110V PLUG IN POWER CORD. 110V OUTLET BY OTHERS.
 - 4) (1) KEYED, CONSTANT PRESSURE SWITCH TO ACTIVATE DOOR.
 - 5) FULL WIDTH HOOD AND MOTOR COVER.

ADDITIONAL NOTES:

STANDARD DOOR W/O HOOD:
D = 17.00
H = B + 17.00
E = A + 28.00

STANDARD DOOR WITH HOOD (OPTION):
D = 21.00
H = B + 21.00
E = A + 30.00

OPTIONS

- HOOD
- WINDOW ONE TWO FULL WIDTH
- WINDRIB ONE TWO
- LEFT HAND MOTOR MOUNT
- OTHERS (SEE NOTES)

ACTIVATORS

- CONST. PRESS. SWITCH
- OTHERS (SEE NOTES)

QTY

OPERATOR MOTOR

VOLTAGE 110
PHASE 1
H.P. 1/2

RYTEC CORPORATION

DOOR OPERATOR BANTAM® DOOR APPROVAL

CUSTOMER: _____ PROJECT: _____

ADDRESS: _____ DEALER: _____

DATE: _____ APPR'D BY: _____

FILE #: 5B308TEMP REV. - APPR'D DATE: _____