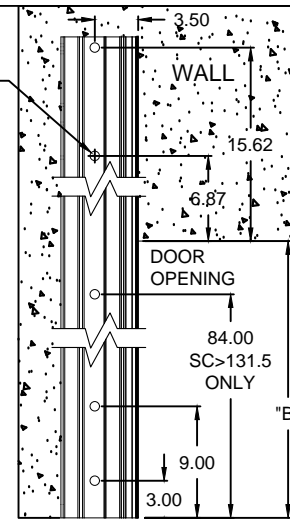
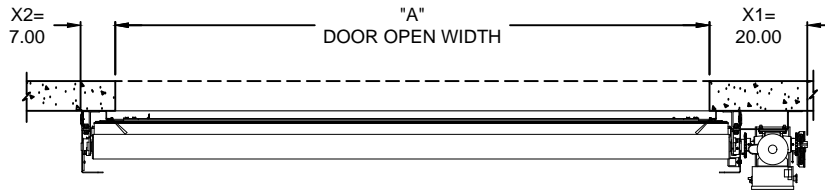
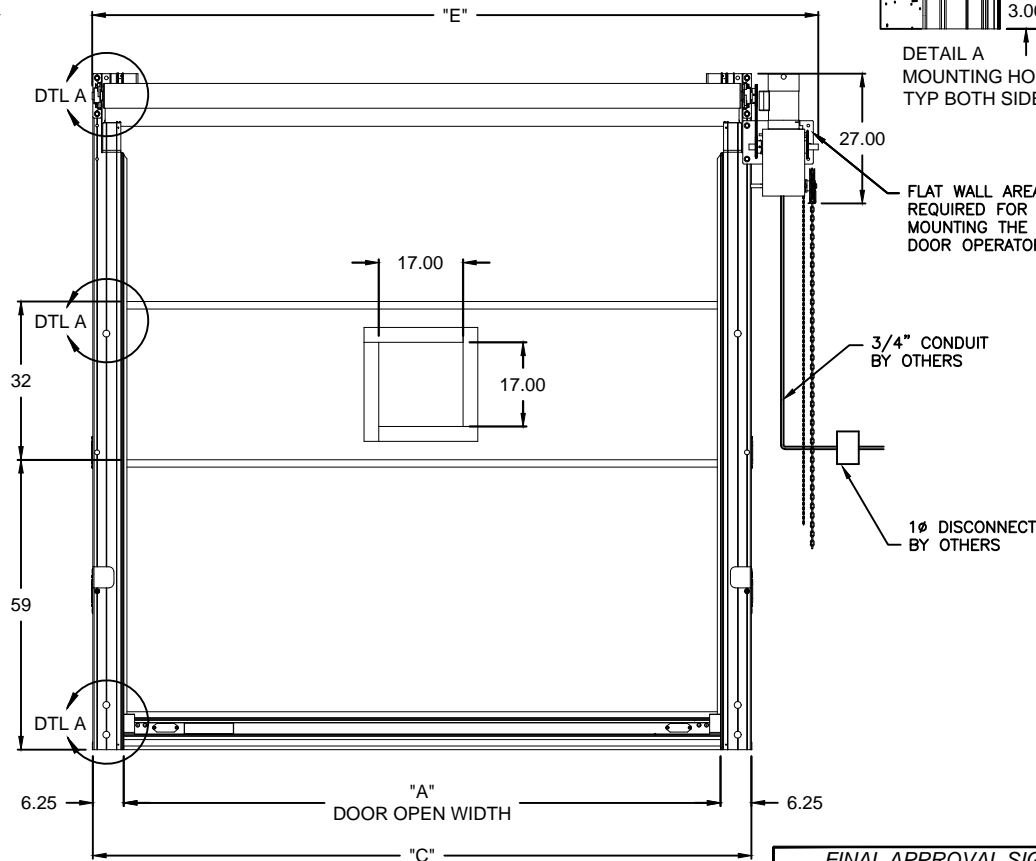
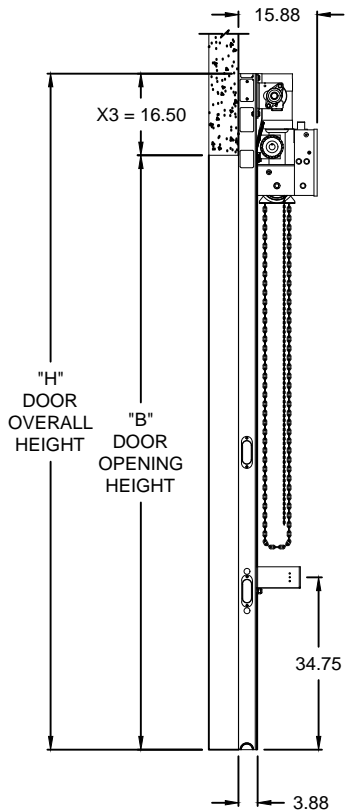


SIDE COLUMN PROFILE



DETAIL A  
MOUNTING HOLE LOCATIONS  
TYP BOTH SIDE COLUMNS



FLAT WALL AREA  
REQUIRED FOR  
MOUNTING THE  
DOOR OPERATOR

3/4" CONDUIT  
BY OTHERS

1Ø DISCONNECT  
BY OTHERS

DRAWING NOT TO SCALE, ALL DIMENSIONS IN INCHES

DOOR NO.	A	B	C	E	H
-	-	-	-	-	-

MODEL

MODEL: BANTAM MD	
PANEL MATERIAL	PANEL COLOR
<input type="checkbox"/> VINYL	<input type="checkbox"/> BLUE
<input type="checkbox"/> 2-PLY RILON (\$)	<input type="checkbox"/> ORANGE
<input type="checkbox"/> 3-PLY RILON (\$)	<input type="checkbox"/> OTHER
<input type="checkbox"/> OTHER _____	<input type="checkbox"/> OTHER _____

STANDARD FEATURES

1. INDUSTRIAL DUTY GEAR HEAD DOOR OPERATOR
2. BOTTOM BAR WITH DUAL AIR REVERSING EDGE
3. DRIVE SPROCKET AND BEARING SUPPLIED BY RYTEC
4. 115V POWER SOURCE REQUIRED

UPGRADE OPTIONS

- SLANT HOOD (\$)
- LEFT HAND DRIVE (RH STD.)
- TEMP < 50° REQR LOW TEMP PVC
- WINDRIB
  - ONE
  - TWO
- WINDOW
  - ONE
  - TWO (\$)
  - THREE (\$)
  - FOUR (\$)
  - FULL VISION
- OTHERS (DESCRIBE IN NOTES)

ACTIVATION OPTIONS (\$)

- PHOTOEYE
- PULL CORDS
- MOTION DETECTOR
- RADIO CONTROL
- PUSHBUTTON
- FLOOR LOOP
- OTHERS (DESCRIBE IN NOTES)

OPTION NOTES

(\$) = PRICING CHANGE IF NOT INCLUDED IN QUOTE

**RYTEC CORPORATION**

ONE CEDAR PARKWAY, JACKSON, WI 53037-0403

APPROVAL DRAWING

BANTAM® DOOR OPERATOR

CUSTOMER: \_\_\_\_\_

LOCATION: \_\_\_\_\_

DATE: \_\_\_\_\_

DRAWING NO.: 401044-00T      REV.: -

FINAL APPROVAL SIGNATURE

FABRICATION CAN PROCEED ACCORDING TO THE SPECIFICATION SHOWN EXCEPT AS NOTED

APPROVED BY: \_\_\_\_\_

PRINT NAME: \_\_\_\_\_

SIGNATURE: \_\_\_\_\_

DATE: \_\_\_\_\_

	X1	X2	X3
WITHOUT HOOD	20.00	7.00	16.50
WITH HOOD	20.25	8.50	20.00

C = A + 12.50  
E = A + X1 + X2  
H = B + X3

NOTE: LH MOTOR REQUIRES FIELD MODIFICATION TO OPERATOR