

DRAWING NOT TO SCALE, ALL DIMENSIONS IN INCHES

DOOR NO.	A	B	C	E	H
-	-	-	-	-	-

**MODEL**

MODEL: PD NXT	PANEL COLOR
PANEL MATERIAL	<input type="checkbox"/> BLUE
<input type="checkbox"/> 32 OZ VINYL	<input type="checkbox"/> ORANGE
<input type="checkbox"/> 2-PLY RILON	<input type="checkbox"/> OTHER
<input type="checkbox"/> 3-PLY RILON	
<input type="checkbox"/> OTHER	

**ELECTRICAL OPTIONS**

- 460v - 3ph
- 230v/208v - 3ph
- 230v/208v - 1ph
- 575v - 3ph
- OTHER

**STANDARD FEATURES**

1. WIRELESS BOTTOM BAR (NO COIL CORD)
2. SEMI-AUTOMATIC SELF REPAIRING BOTTOM BAR
3. CLEAR VISION WINDOW, FULL WIDTH
4. (2) SAFETY PHOTOEYES (FIELD INSTALLED)
5. SYSTEM 4 AC DRIVE
6. DUAL AIR REVERSING EDGE

**STANDARD OPTIONS**

- SLANT HOOD
- RIGHT HAND DRIVE (LH STD.)
- 575/460V STEP DOWN TRANSFORMER INCLUDED IN RYTEC CONTROL BOX
- ROTARY DISCONNECT
- TEMP < 50° REQR LOW TEMP PVC
- OTHERS (DESCRIBE IN NOTES)

**ACTIVATION**

- PHOTOEYE
- PULL CORDS
- MOTION DETECTOR
- RADIO CONTROL
- PUSHBUTTON
- FLOOR LOOP
- OTHERS (DESCRIBE IN NOTES)

**OPTION NOTES**

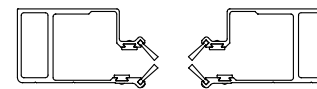
NOTES:

**RYTEC CORPORATION**

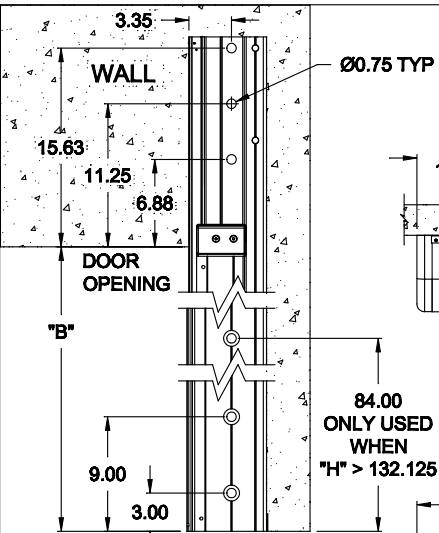
ONE CEDAR PARKWAY, JACKSON, WI 53037-0403

**APPROVAL DRAWING  
PREDADOOR NXT® - SYSTEM 4**

CUSTOMER: \_\_\_\_\_  
 LOCATION: \_\_\_\_\_  
 DATE: \_\_\_\_\_ REV.: \_\_\_\_\_  
 DRAWING NO.: \_\_\_\_\_



SIDE COLUMN PROFILE



DETAIL A  
MOUNTING HOLE LOCATIONS  
TYP BOTH SIDE COLUMNS

HIGH VOLTAGE CONDUIT  
BY OTHERS

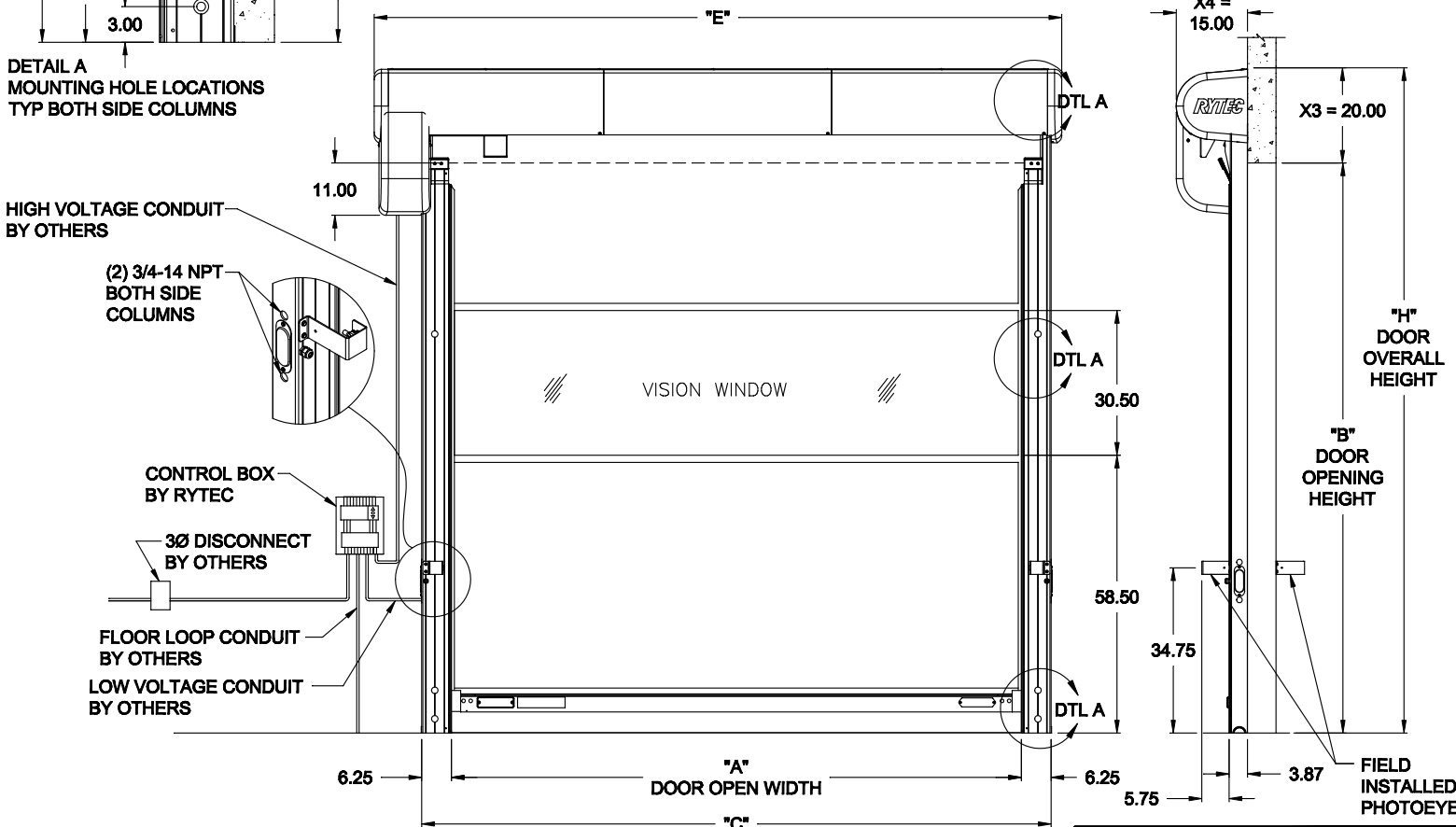
(2) 3/4-14 NPT  
BOTH SIDE  
COLUMNS

CONTROL BOX  
BY RYTEC

3Ø DISCONNECT  
BY OTHERS

FLOOR LOOP CONDUIT  
BY OTHERS

LOW VOLTAGE CONDUIT  
BY OTHERS



**APPROVAL SIGNATURE**

FABRICATION CAN PROCEED ACCORDING TO THE  
SPECIFICATION SHOWN EXCEPT AS NOTED

APPROVED BY: \_\_\_\_\_  
 PRINT NAME: \_\_\_\_\_  
 SIGNATURE: \_\_\_\_\_  
 DATE: \_\_\_\_\_

	X1	X2	X3	X4
WITHOUT HOOD	15.00	7.00	17.13	15.50
WITH HOOD	16.25	8.50	20.00	15.00

**C = A + 12.50**  
**E = A + X1 + X2**  
**H = B + X3**