

DRAWING NOT TO SCALE, ALL DIMENSIONS IN INCHES

DOOR NO.	A	B	C	E	H

MODEL

MODEL: PD NXT	
<u>PANEL MATERIAL</u>	<u>PANEL COLOR</u>
<input type="checkbox"/> 32 OZ VINYL	<input type="checkbox"/> BLUE
<input type="checkbox"/> 2-PLY RILON	<input type="checkbox"/> ORANGE
<input type="checkbox"/> 3-PLY RILON	<input type="checkbox"/> OTHER
<input type="checkbox"/> OTHER _____	_____

ELECTRICAL OPTIONS

- 460v - 3ph
- 230v/208v - 3ph
- 230v/208v - 1ph
- 575v - 3ph
- OTHER

STANDARD FEATURES

1. WIRELESS BOTTOM BAR (NO COIL CORD)
2. SEMI-AUTOMATIC SELF REPAIRING BOTTOM BAR
3. CLEAR VISION WINDOW, FULL WIDTH
4. (2) SAFETY PHOTOEYES (FIELD INSTALLED)
5. SYSTEM 4 AC DRIVE
6. DUAL AIR REVERSING EDGE

STANDARD OPTIONS

- SLANT HOOD
- RIGHT HAND DRIVE (LH STD.)
- 575/460V STEP DOWN TRANSFORMER INCLUDED IN RYTEC CONTROL BOX
- ROTARY DISCONNECT
- TEMP < 50° REQR LOW TEMP PVC
- OTHERS (DESCRIBE IN NOTES)

ACTIVATION

- PHOTOEYE
- PULL CORDS
- MOTION DETECTOR
- RADIO CONTROL
- PUSHBUTTON
- FLOOR LOOP
- OTHERS (DESCRIBE IN NOTES)

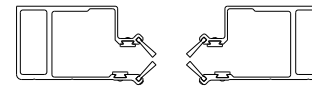
OPTION NOTES

NOTES:

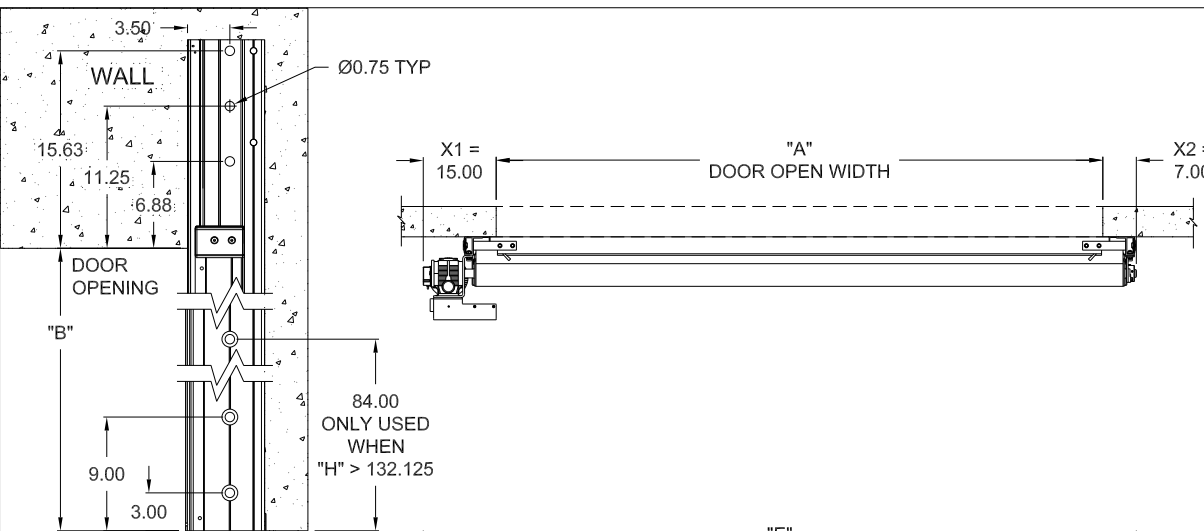
RYTEC CORPORATION
ONE CEDAR PARKWAY, JACKSON, WI 53037-0403

APPROVAL DRAWING
PREDADOOR NXT® - SYSTEM 4

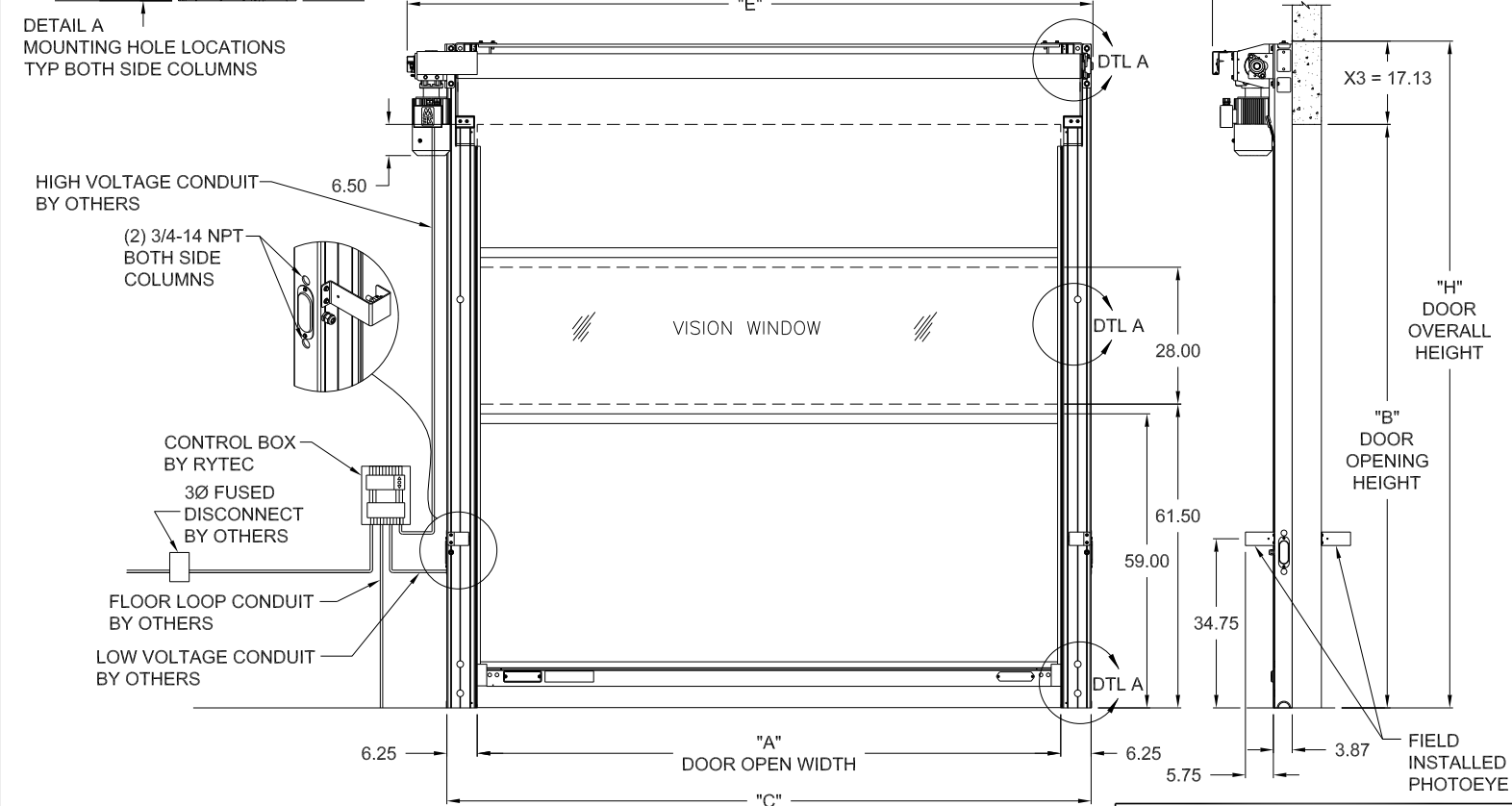
CUSTOMER: _____
 LOCATION: _____
 DATE: _____ REV.: _____
 DRAWING NO.: _____



SIDE COLUMN PROFILE



DETAIL A
MOUNTING HOLE LOCATIONS
TYP BOTH SIDE COLUMNS



APPROVAL SIGNATURE
FABRICATION CAN PROCEED ACCORDING TO THE SPECIFICATION SHOWN EXCEPT AS NOTED
 APPROVED BY: _____
 PRINT NAME: _____
 SIGNATURE: _____
 DATE: _____

	X1	X2	X3	X4
WITHOUT HOOD	15.00	7.00	17.13	16.50
WITH HOOD	16.00	8.00	20.13	17.00

C = A + 12.50
E = A + X1 + X2
H = B + X3