

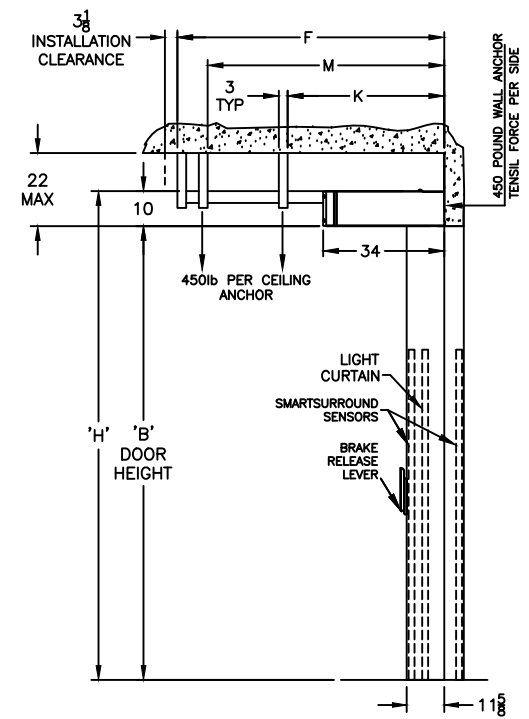
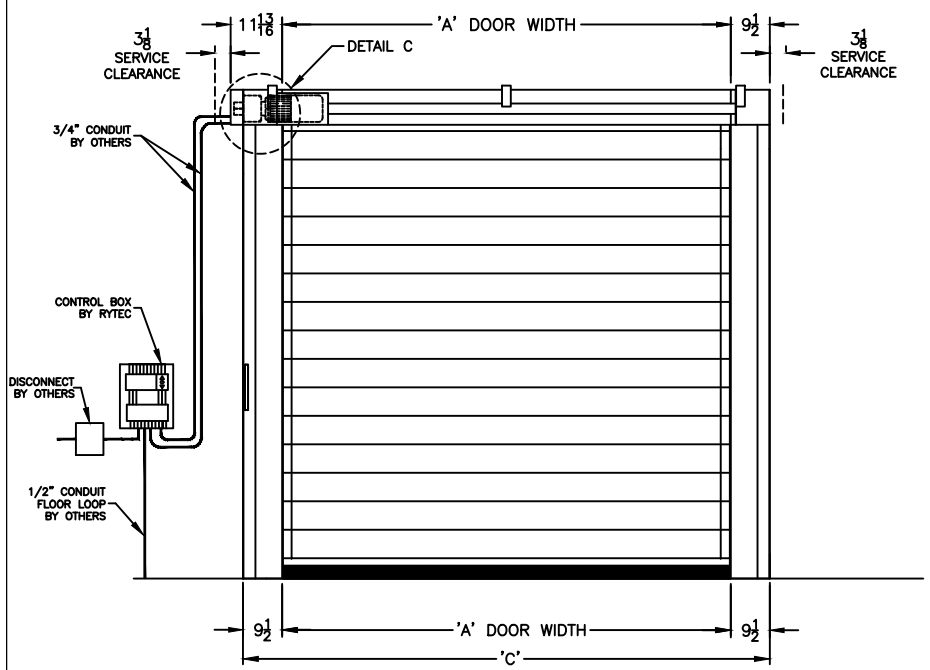
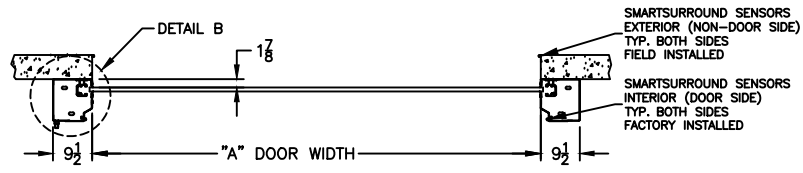
**DIMENSIONAL VARIABLES**

DRAWING NOT TO SCALE; DIMENSIONS IN INCHES

DOOR NO.	A	B	C	F	M	K	H

MILLIMETERS

ACTUAL DOOR SIZE IS PRODUCED IN MILLIMETERS  
REQUESTED DOOR SIZE IS CONVERTED TO MILLIMETERS  
AND ROUNDED UP TO THE NEAREST 10MM



- ELECTRICAL OPTIONS**
- 460v - 3ph
  - 230v/208v - 3ph
  - 230v - 1ph
  - 480v OPEN DELTA, UNGROUNDED (\$)
  - 575v - 3ph (\$)  
(INCLUDES NEMA 4 METAL ENCLOSURE WITH 575/460 TRANSFORMER)

- STANDARD FEATURES**
- SIDE COLUMN AND HEAD CONSOLE POWDER COATED RYTEC SILVER.
  - INTELLIGENT LIGHT CURTAIN SYSTEM IN DOOR LINE TO 6'-0" ABOVE FINISHED FLOOR.
  - SMARTSURROUND ADVANCED DETECTION AND ALERT SYSTEM.
  - VARIABLE DOOR OPENING SPEED; UP TO 100"/SEC.
  - PROGRAMMABLE UPPER AND LOWER LIMITS.
  - NEMA 4X SYSTEM 4 CONTROL BOX (8.5"x16.5").
  - BRAKE RELEASE LEVER ON SIDE COLUMN.

- UPGRADE OPTIONS**
- BRAKE RELEASE LEVER**
- SIDE COLUMN
  - REMOTE MOUNT (\$)
  - BOTH (\$)
  - RIGHT HAND DRIVE
  - ROTARY DISCONNECT (\$)
  - BTA4 (BLUETOOTH ACCESS TERMINAL) (\$)
  - SIDE COLUMN MOUNT:  LH  RH  NONE-REMOTE
  - BTA4 NIGHT SWITCH (\$)
  - FUNCTION: \_\_\_\_\_
  - SELECTOR SWITCH ON CONTROL BOX (\$)
  - FUNCTION: \_\_\_\_\_
  - FULL HEIGHT ACTIVE REVERSING EDGE SENSOR (\$)

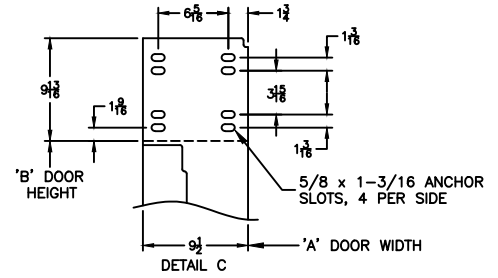
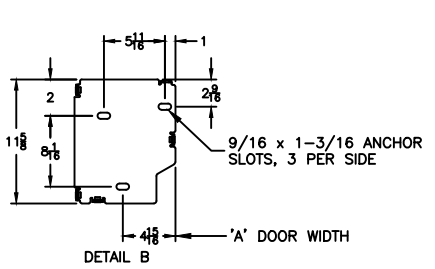
- ACTIVATION OPTIONS (\$)**
- PUSHBUTTON
  - PULL CORDS
  - MOTION DETECTOR
  - PRESENCE DET.
  - MOTION/PRESENCE
  - DUAL LOOP CONTROLLER
  - RADIO CONTROL RCVR (INCLUDE MIN 2 XMIT)
  - \_\_\_ 1 BTN TRANSMITTER
  - \_\_\_ 2 BTN TRANSMITTER
  - \_\_\_ 4 BTN TRANSMITTER

**OPTION NOTES**

(\$ ) = PRICING CHANGE IF NOT INCLUDED IN QUOTE

- FULL VISION PANEL ASSEMBLY

\*\*\*PLEASE SPECIFY VOLTAGE\*\*\*



**FORMULAS**

F = (B + 30.50); FOR B < 91  
F = (B + 11.00); FOR B >= 91

M = (B + 20.00); FOR B < 91  
M = B; FOR B >= 91

K = NOT REQ'D; FOR B < 99  
K = 72.00; FOR B >= 99

**FINAL APPROVAL SIGNATURE**

FABRICATION CAN PROCEED ACCORDING TO THE SPECIFICATION SHOWN EXCEPT AS NOTED

APPROVED BY: \_\_\_\_\_

PRINT NAME: \_\_\_\_\_

SIGNATURE: \_\_\_\_\_

DATE: \_\_\_\_\_

**RYTEC CORPORATION**  
ONE CEDAR PARKWAY, JACKSON, WI 53037-0403

**APPROVAL DRAWING**  
SPIRAL LH-FV MODEL STN-L  
FOR DOOR WIDTH UP TO 13'-1", HEIGHT UP TO 13'-1"

CUSTOMER: \_\_\_\_\_

LOCATION: \_\_\_\_\_

DATE: \_\_\_\_\_

DRAWING NO.: 715-01T

REV.: \_\_\_\_\_

REV	DESCRIPTION	DATE	BY