

**DIMENSIONAL VARIABLES**

DRAWING NOT TO SCALE; DIMENSIONS IN INCHES

DOOR NO.	A	B	C	F	M	K1	K	H
MILLIMETERS								

ACTUAL DOOR SIZE IS PRODUCED IN MILLIMETERS  
REQUESTED DOOR SIZE IS CONVERTED TO MILLIMETERS  
AND ROUNDED UP TO THE NEAREST 10MM

**ELECTRICAL OPTIONS**

- |   |  |
|---|--|
| <input type="checkbox"/> 460v - 3ph                       | <input type="checkbox"/> 575v - 3ph (\$)                   |
| <input type="checkbox"/> 230v/208v - 3ph                  | (INCLUDES NEMA 4 METAL ENCLOSURE WITH 575/460 TRANSFORMER) |
| <input type="checkbox"/> 230v - 1ph                       |  |
| <input type="checkbox"/> 480v OPEN DELTA, UNGROUNDED (\$) |  |

**STANDARD FEATURES**

- SIDE COLUMN AND HEAD CONSOLE POWDER COATED RYTEC SILVER.
- INTELLIGENT LIGHT CURTAIN SYSTEM IN DOOR LINE TO 6'-0" ABOVE FINISHED FLOOR.
- SMARTSURROUND ADVANCED DETECTION AND ALERT SYSTEM.
- VARIABLE DOOR OPENING SPEED; UP TO 100"/SEC.
- PROGRAMMABLE UPPER AND LOWER LIMITS.
- NEMA 4X SYSTEM 4 CONTROL BOX (8.5"x16.5").
- BRAKE RELEASE LEVER ON SIDE COLUMN.

**UPGRADE OPTIONS**

- BRAKE RELEASE LEVER**
- SIDE COLUMN  REMOTE MOUNT (\$)  BOTH (\$)
- RIGHT HAND DRIVE
- ROTARY DISCONNECT (\$)
- BTA4 (BLUETOOTH ACCESS TERMINAL) (\$)
- SIDE COLUMN MOUNT:  LH  RH  NONE-REMOTE
- BTA4 NIGHT SWITCH (\$)
- FUNCTION: \_\_\_\_\_
- SELECTOR SWITCH ON CONTROL BOX (\$)
- FUNCTION: \_\_\_\_\_
- FULL HEIGHT ACTIVE REVERSING EDGE SENSOR (\$)

**ACTIVATION OPTIONS (\$)**

- |  |   |
|--|---|
| <input type="checkbox"/> — PUSHBUTTON      | <input type="checkbox"/> DUAL LOOP CONTROLLER |
| <input type="checkbox"/> — PULL CORDS      | <input type="checkbox"/> RADIO CONTROL RCVR   |
| <input type="checkbox"/> — MOTION DETECTOR | (INCLUDE MIN 2 XMIT)                          |
| <input type="checkbox"/> — PRESENCE DET.   | — 1 BTN TRANSMITTER                           |
| <input type="checkbox"/> — MOTION/PRESENCE | — 2 BTN TRANSMITTER                           |
|  | — 4 BTN TRANSMITTER                           |

**OPTION NOTES**

(\$ ) = PRICING CHANGE IF NOT INCLUDED IN QUOTE

— FULL VISION PANEL ASSEMBLY

\*\*\*PLEASE SPECIFY VOLTAGE\*\*\*

**RYTEC CORPORATION**

ONE CEDAR PARKWAY, JACKSON, WI 53037-0403

**APPROVAL DRAWING**

**SPIRAL LH-FV MODEL STN-S**

FOR DOOR WIDTH UP TO 18'-0", HEIGHT UP TO 16'-4"

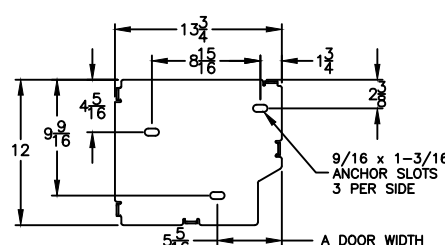
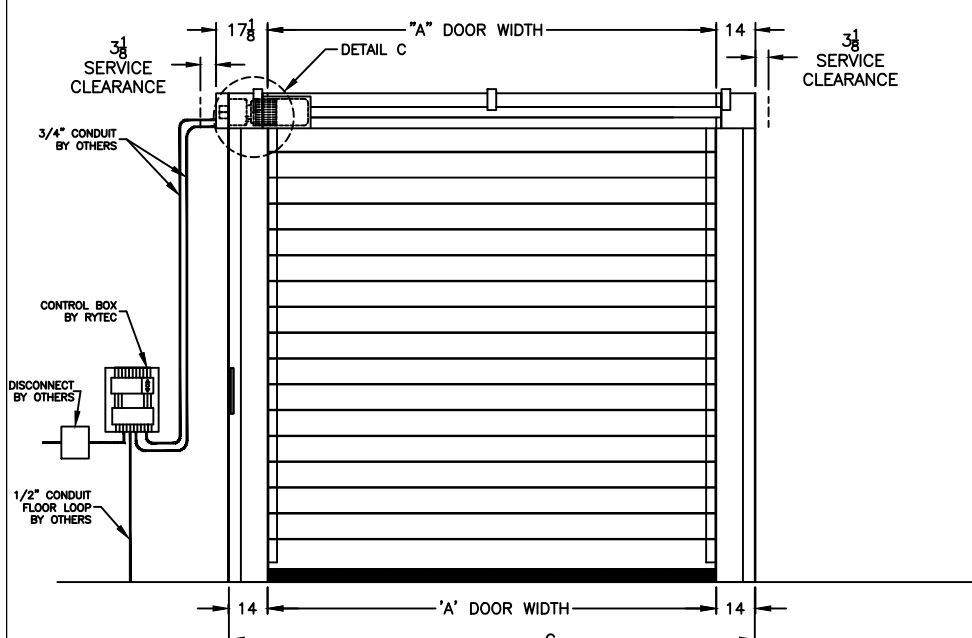
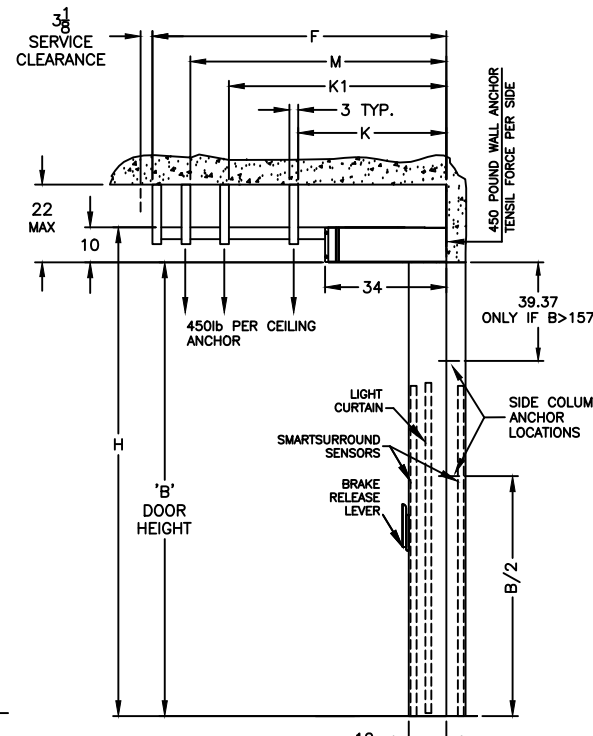
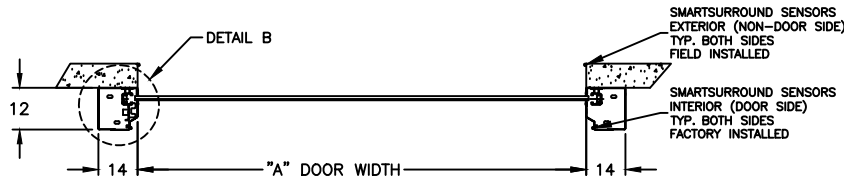
CUSTOMER: \_\_\_\_\_

LOCATION: \_\_\_\_\_

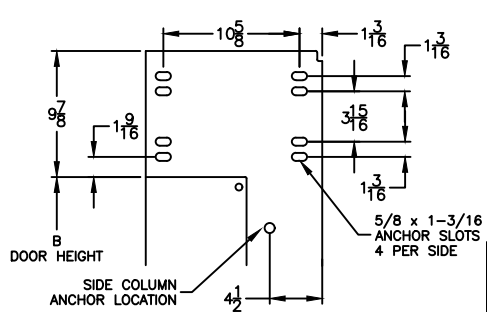
DATE: \_\_\_\_\_

DRAWING NO.: 716-01T

REV.: \_\_\_\_\_



DETAIL B



DETAIL C

**HANGER FORMULAS**

K = NOT REQUIRED; FOR B < 98  
K = 72; FOR B >= 98

K1 = NOT REQUIRED; FOR B < 161  
K1 = 135; FOR B >= 161

M = B + 20; FOR B < 91  
M = B; FOR B >= 91

F = B + 31; FOR B < 91  
F = B + 11; FOR B >= 91

**FINAL APPROVAL SIGNATURE**

FABRICATION CAN PROCEED ACCORDING TO THE SPECIFICATION SHOWN EXCEPT AS NOTED

APPROVED BY: \_\_\_\_\_

PRINT NAME: \_\_\_\_\_

SIGNATURE: \_\_\_\_\_

DATE: \_\_\_\_\_

REV	DESCRIPTION	DATE	BY