

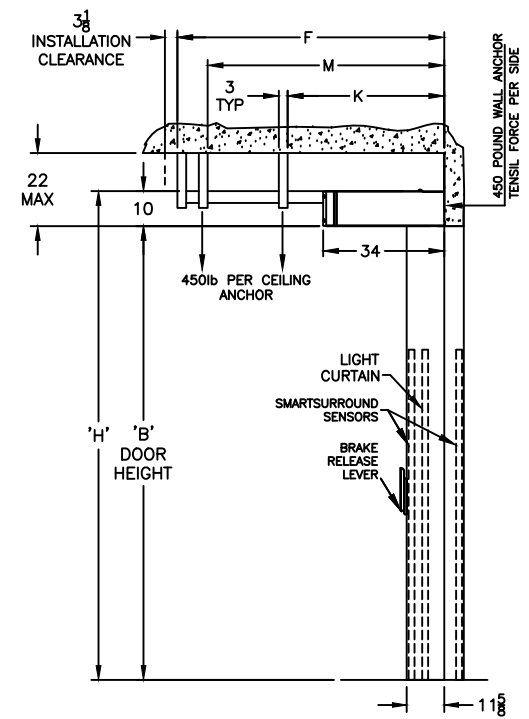
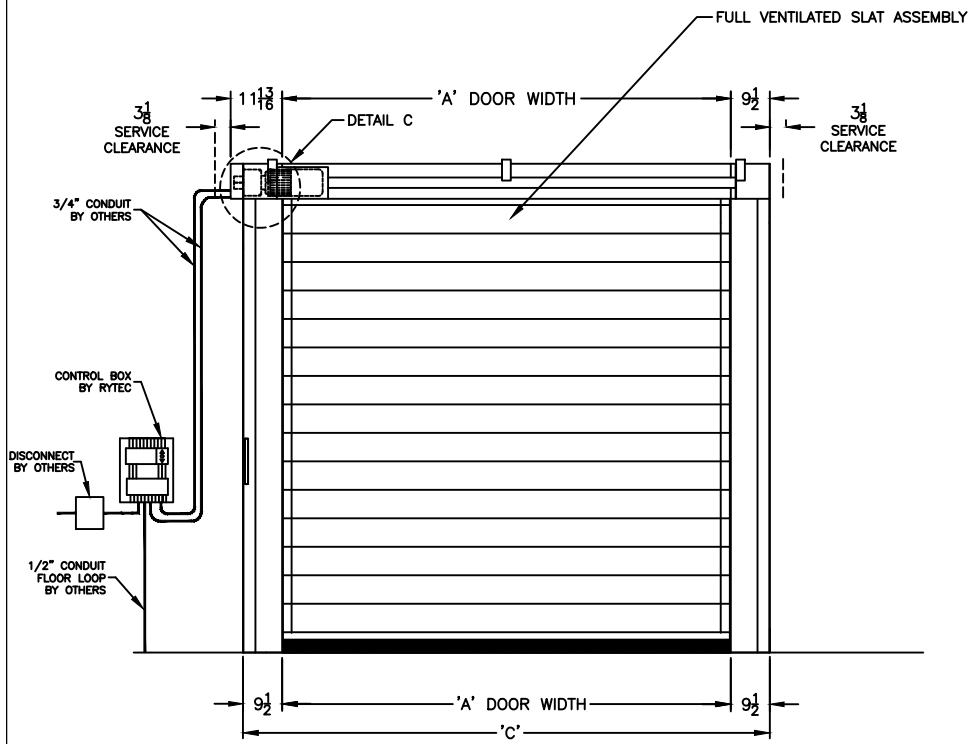
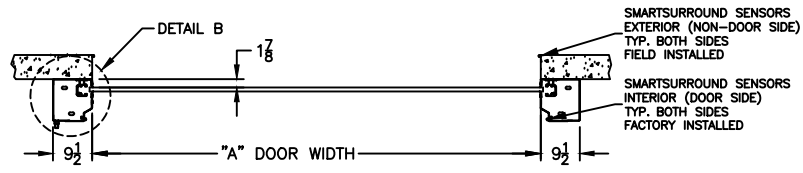
DIMENSIONAL VARIABLES

DRAWING NOT TO SCALE; DIMENSIONS IN INCHES

DOOR NO.	A	B	C	F	M	K	H

MILLIMETERS

ACTUAL DOOR SIZE IS PRODUCED IN MILLIMETERS
REQUESTED DOOR SIZE IS CONVERTED TO MILLIMETERS
AND ROUNDED UP TO THE NEAREST 10MM



- ELECTRICAL OPTIONS**
- 460v - 3ph
 - 230v/208v - 3ph
 - 230v - 1ph
 - 480v OPEN DELTA, UNGROUNDED (\$)
 - 575v - 3ph (\$)
(INCLUDES NEMA 4 METAL ENCLOSURE WITH 575/460 TRANSFORMER)

- STANDARD FEATURES**
- SIDE COLUMN AND HEAD CONSOLE POWDER COATED RYTEC SILVER.
 - INTELLIGENT LIGHT CURTAIN SYSTEM IN DOOR LINE TO 6'-0" ABOVE FINISHED FLOOR.
 - SMARTSURROUND ADVANCED DETECTION AND ALERT SYSTEM.
 - VARIABLE DOOR OPENING SPEED; UP TO 100"/SEC.
 - PROGRAMMABLE UPPER AND LOWER LIMITS.
 - NEMA 4X SYSTEM 4 CONTROL BOX (8.5"x16.5").
 - BRAKE RELEASE LEVER ON SIDE COLUMN.

- UPGRADE OPTIONS**
- BRAKE RELEASE LEVER**
- SIDE COLUMN REMOTE MOUNT (\$) BOTH (\$)
 - RIGHT HAND DRIVE
 - ROTARY DISCONNECT (\$)
 - BTA4 (BLUETOOTH ACCESS TERMINAL) (\$)
 - SIDE COLUMN MOUNT: LH RH NONE-REMOTE
 - BTA4 NIGHT SWITCH (\$)
 - FUNCTION: _____
 - SELECTOR SWITCH ON CONTROL BOX (\$)
 - FUNCTION: _____
 - FULL HEIGHT ACTIVE REVERSING EDGE SENSOR (\$)

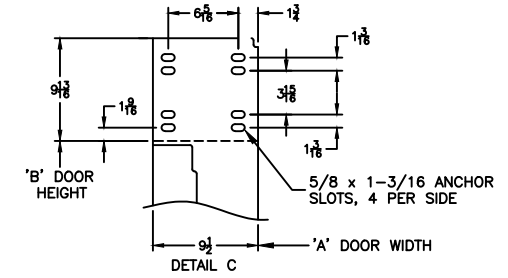
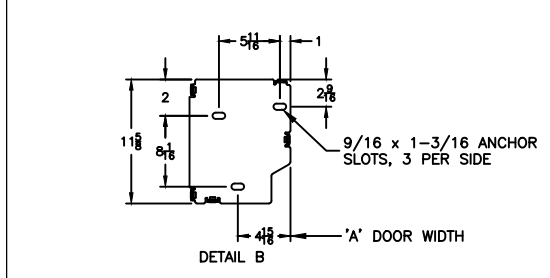
- ACTIVATION OPTIONS (\$)**
- PUSHBUTTON
 - PULL CORDS
 - MOTION DETECTOR
 - PRESENCE DET.
 - MOTION/PRESENCE
 - DUAL LOOP CONTROLLER
 - RADIO CONTROL RCVR (INCLUDE MIN 2 XMIT)
 - ___ 1 BTN TRANSMITTER
 - ___ 2 BTN TRANSMITTER
 - ___ 4 BTN TRANSMITTER

OPTION NOTES

(\$) = PRICING CHANGE IF NOT INCLUDED IN QUOTE

- FULL VENTILATED PANEL ASSEMBLY

PLEASE SPECIFY VOLTAGE



FORMULAS

F = (B + 30.50); FOR B < 91
F = (B + 11.00); FOR B >= 91

M = (B + 20.00); FOR B < 91
M = B; FOR B >= 91

K = NOT REQ'D; FOR B < 99
K = 72.00; FOR B >= 99

FINAL APPROVAL SIGNATURE

FABRICATION CAN PROCEED ACCORDING TO THE SPECIFICATION SHOWN EXCEPT AS NOTED

APPROVED BY: _____

PRINT NAME: _____

SIGNATURE: _____

DATE: _____

REV	DESCRIPTION	DATE	BY

RYTEC CORPORATION
ONE CEDAR PARKWAY, JACKSON, WI 53037-0403

APPROVAL DRAWING

SPIRAL LH-FULL VENTILATED, STN-L
FOR DOOR WIDTH UP TO 13'-1", HEIGHT UP TO 13'-1"

CUSTOMER: _____

LOCATION: _____

DATE: _____

DRAWING NO.: 715-02T

REV.: _____