

DIMENSIONAL VARIABLES

DRAWING NOT TO SCALE; DIMENSIONS IN INCHES

DOOR NO.	A	B	C	F	M	K1	K	H
MILLIMETERS								

ACTUAL DOOR SIZE IS PRODUCED IN MILLIMETERS
REQUESTED DOOR SIZE IS CONVERTED TO MILLIMETERS
AND ROUNDED UP TO THE NEAREST 10MM

ELECTRICAL OPTIONS

- | | |
|---|--|
| <input type="checkbox"/> 460v - 3ph | <input type="checkbox"/> 575v - 3ph (\$) |
| <input type="checkbox"/> 230v/208v - 3ph | (INCLUDES NEMA 4 METAL ENCLOSURE WITH 575/460 TRANSFORMER) |
| <input type="checkbox"/> 230v - 1ph | |
| <input type="checkbox"/> 480v OPEN DELTA, UNGROUNDED (\$) | |

STANDARD FEATURES

- SIDE COLUMN AND HEAD CONSOLE POWDER COATED RYTEC SILVER.
- INTELLIGENT LIGHT CURTAIN SYSTEM IN DOOR LINE TO 6'-0" ABOVE FINISHED FLOOR.
- SMARTSURROUND ADVANCED DETECTION AND ALERT SYSTEM.
- VARIABLE DOOR OPENING SPEED; UP TO 60"/SEC.
- PROGRAMMABLE UPPER AND LOWER LIMITS.
- NEMA 4X SYSTEM 4 CONTROL BOX (8.5"x16.5").
- BRAKE RELEASE LEVER ON SIDE COLUMN.

UPGRADE OPTIONS

- BRAKE RELEASE LEVER**
- SIDE COLUMN REMOTE MOUNT (\$) BOTH (\$)
- RIGHT HAND DRIVE
- ROTARY DISCONNECT (\$)
- BTA4 (BLUETOOTH ACCESS TERMINAL) (\$)
- SIDE COLUMN MOUNT: LH RH NONE-REMOTE
- BTA4 NIGHT SWITCH (\$)
- FUNCTION: _____
- SELECTOR SWITCH ON CONTROL BOX (\$)
- FUNCTION: _____
- FULL HEIGHT ACTIVE REVERSING EDGE SENSOR (\$)

PANEL OPTIONS

- INSULATED SOLID SLATS (\$)
- WINDOWS (\$)
- 1 2 3 4 OTHER _____
- VENTS (\$)
- 1 2 3 4 OTHER _____
- VISION HEIGHT (DIM 'J')
- 33" 39" 51"
- UP TO FOUR (4) VISION/VENT SLATS PER GROUP WITH AT LEAST ONE (1) SOLID SLAT SEPARATING GROUPS.

ACTIVATION OPTIONS (\$)

- | | |
|--|--|
| <input type="checkbox"/> PUSHBUTTON | <input type="checkbox"/> DUAL LOOP CONTROLLER |
| <input type="checkbox"/> PULL CORDS | <input type="checkbox"/> RADIO CONTROL RCVR (INCLUDE MIN 2 XMIT) |
| <input type="checkbox"/> MOTION DETECTOR | <input type="checkbox"/> 1 BTN TRANSMITTER |
| <input type="checkbox"/> PRESENCE DET. | <input type="checkbox"/> 2 BTN TRANSMITTER |
| <input type="checkbox"/> MOTION/PRESENCE | <input type="checkbox"/> 4 BTN TRANSMITTER |

OPTION NOTES

(\$) = PRICING CHANGE IF NOT INCLUDED IN QUOTE

PLEASE SPECIFY VOLTAGE

RYTEC CORPORATION

ONE CEDAR PARKWAY, JACKSON, WI 53037-0403

APPROVAL DRAWING

SPIRAL LH MODEL SSN-S

FOR DOOR WIDTH UP TO 20', HEIGHT UP TO 16'-4"

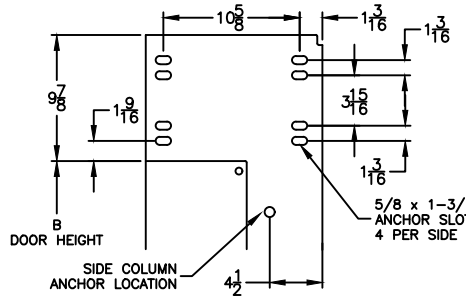
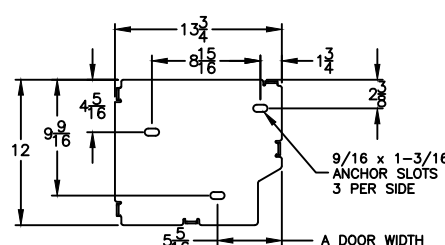
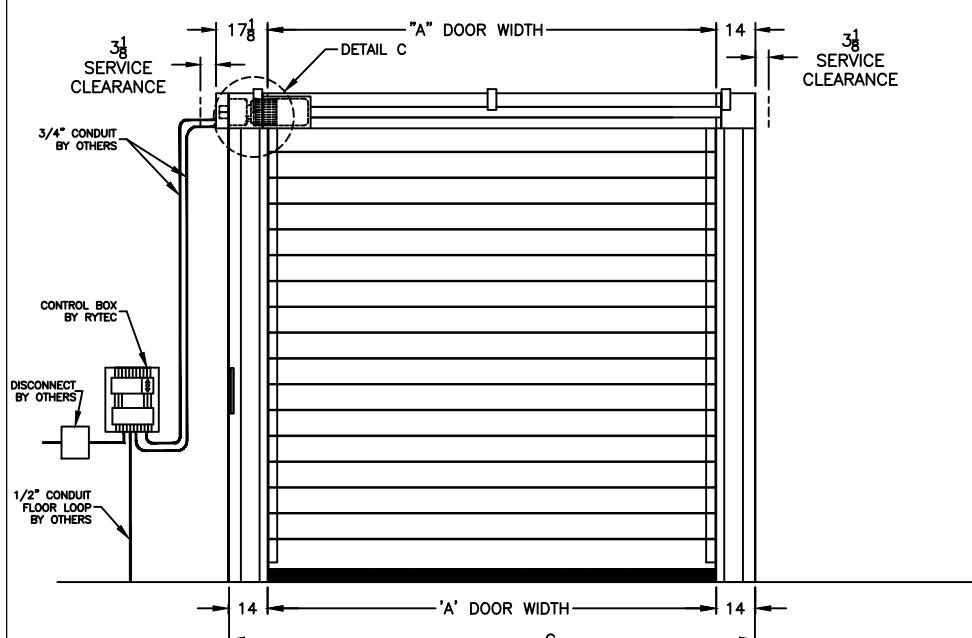
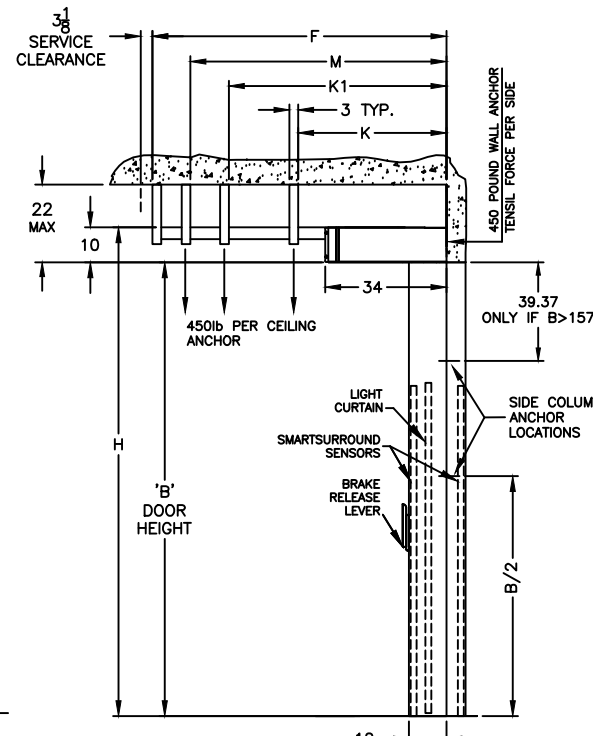
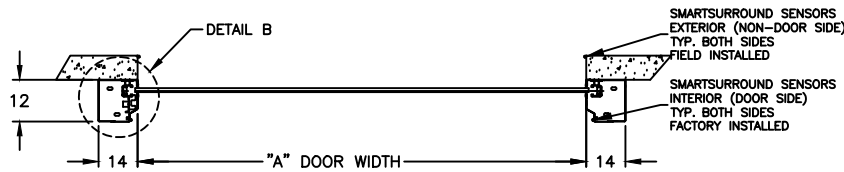
CUSTOMER: _____

LOCATION: _____

DATE: _____

DRAWING NO.: 727-01T

REV.: _____



HANGER FORMULAS

K = NOT REQUIRED; FOR B<98
K = 72; FOR B>=98

K1 = NOT REQUIRED; FOR B<161
K1 = 135; FOR B>=161

M = B+20; FOR B<91
M = B; FOR B>=91

F = B+31; FOR B<91
F = B+11; FOR B>=91

FINAL APPROVAL SIGNATURE

FABRICATION CAN PROCEED ACCORDING TO THE SPECIFICATION SHOWN EXCEPT AS NOTED

APPROVED BY: _____

PRINT NAME: _____

SIGNATURE: _____

DATE: _____

REV	DESCRIPTION	DATE	BY