

**DIMENSIONAL VARIABLES**

DRAWING NOT TO SCALE; DIMENSIONS IN INCHES

DOOR NO.	A	B	C	F	M	K	H

MILLIMETERS  
 ACTUAL DOOR SIZE IS PRODUCED IN MILLIMETERS  
 REQUESTED DOOR SIZE IS CONVERTED TO MILLIMETERS  
 AND ROUNDED UP TO THE NEAREST 10MM

**ELECTRICAL OPTIONS**

- 460v - 3ph
- 230v/208v - 3ph
- 230v - 1ph
- 480v OPEN DELTA, UNGROUNDED (\$)
- 575v - 3ph (\$)  
 (INCLUDES NEMA 4 METAL ENCLOSURE WITH 575/460 TRANSFORMER)

**STANDARD FEATURES**

- SIDE COLUMN AND HEAD CONSOLE POWDER COATED RYTEC SILVER.
- INTELLIGENT LIGHT CURTAIN SYSTEM IN DOOR LINE TO 6'-0" ABOVE FINISHED FLOOR.
- VARIABLE DOOR OPENING SPEED; UP TO 24"/SEC.
- PROGRAMMABLE UPPER AND LOWER LIMITS.
- NEMA 4X SYSTEM 4 CONTROL BOX (8.5"x16.5").
- ELECTRICAL FAIL SAFE REVERSING EDGE.
- ONE (1) SET PATHWATCH LEDS.

**UPGRADE OPTIONS**

- RIGHT HAND DRIVE
- ROTARY DISCONNECT (\$)
- BTA4 (BLUETOOTH ACCESS TERMINAL) (\$)  
 NIGHT SWITCH FUNCTION: \_\_\_\_\_
- SELECTOR SWITCH ON CONTROL BOX (\$)  
 FUNCTION: \_\_\_\_\_
- PHOTOEYES IN LIEU OF LIGHT CURTAIN (\$)
- FULL VISION PANEL
- FULL VENTILATED PANEL

**ACTIVATION OPTIONS (\$)**

- \_ PUSHBUTTON
- \_ PULL CORDS
- \_ MOTION DETECTOR
- \_ PRESENCE DET.
- \_ MOTION/PRESENCE
- DUAL LOOP CONTROLLER
- RADIO CONTROL RCVR  
 (INCLUDE MIN 2 XMIT)
- \_ 1 BTN TRANSMITTER
- \_ 2 BTN TRANSMITTER
- \_ 4 BTN TRANSMITTER

**OPTION NOTES**

(\$ ) = PRICING CHANGE IF NOT INCLUDED IN QUOTE

\*\*\*PLEASE SPECIFY VOLTAGE\*\*\*

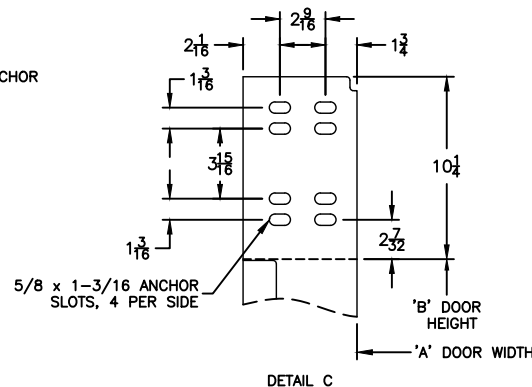
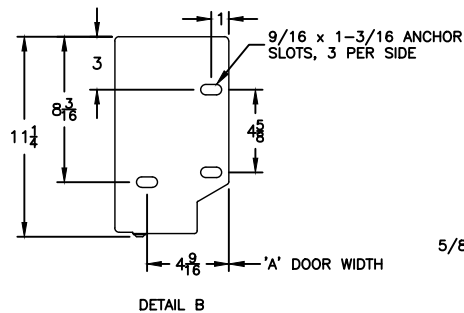
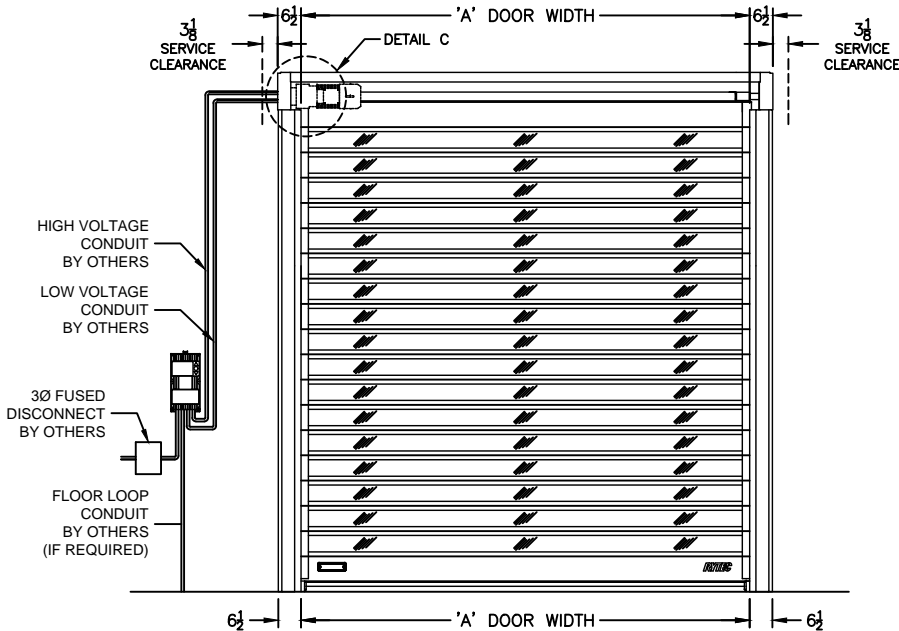
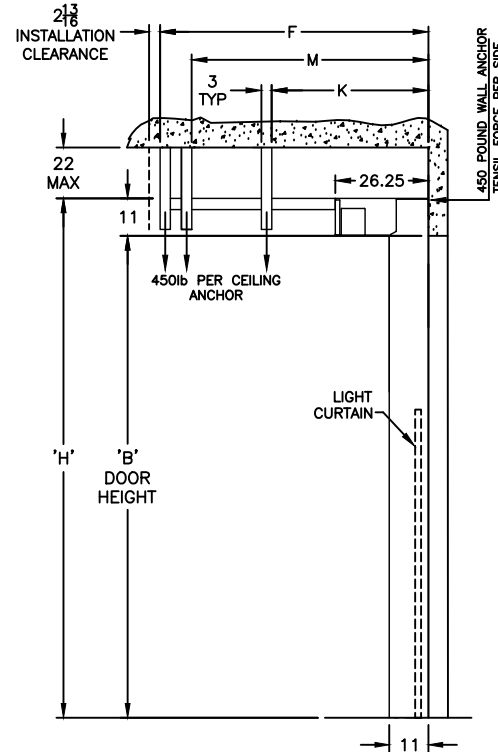
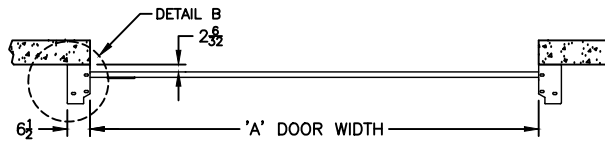
**FORMULAS**

$F = (B + 30.50); \text{ FOR } B < 91$   
 $F = (B + 11.00); \text{ FOR } B \geq 91$   
 $M = (B + 20.00); \text{ FOR } B < 91$   
 $M = B; \text{ FOR } B \geq 91$   
 $K = \text{NOT REQ'D}; \text{ FOR } B < 99$   
 $K = 72.00; \text{ FOR } B \geq 99$

**FINAL APPROVAL SIGNATURE**

FABRICATION CAN PROCEED ACCORDING TO THE SPECIFICATION SHOWN EXCEPT AS NOTED

APPROVED BY: \_\_\_\_\_  
 PRINT NAME: \_\_\_\_\_  
 SIGNATURE: \_\_\_\_\_  
 DATE: \_\_\_\_\_



REV	DESCRIPTION	DATE	BY

**RYTEC CORPORATION**  
 ONE CEDAR PARKWAY, JACKSON, WI 53037-0403

**APPROVAL DRAWING**  
 SPIRAL LP-FV MODEL STN-LP-L

FOR DOOR WIDTH UP TO 13'-1", HEIGHT UP TO 12'-0"

CUSTOMER: \_\_\_\_\_

LOCATION: \_\_\_\_\_

DATE: \_\_\_\_\_

DRAWING NO.: 731-01T REV.: \_\_\_\_\_