

DIMENSIONAL VARIABLES

DRAWING NOT TO SCALE; DIMENSIONS IN INCHES

DOOR NO.	A	B	C	F	M	K	H

MILLIMETERS
 ACTUAL DOOR SIZE IS PRODUCED IN MILLIMETERS
 REQUESTED DOOR SIZE IS CONVERTED TO MILLIMETERS
 AND ROUNDED UP TO THE NEAREST 10MM

ELECTRICAL OPTIONS

- | | |
|---|--|
| <input type="checkbox"/> 460v - 3ph | <input type="checkbox"/> 575v - 3ph (\$) |
| <input type="checkbox"/> 230v/208v - 3ph | (INCLUDES NEMA 4 METAL ENCLOSURE WITH 575/460 TRANSFORMER) |
| <input type="checkbox"/> 230v - 1ph | |
| <input type="checkbox"/> 480v OPEN DELTA, UNGROUNDED (\$) | |

STANDARD FEATURES

- SIDE COLUMN AND HEAD CONSOLE POWDER COATED RYTEC SILVER.
- INTELLIGENT LIGHT CURTAIN SYSTEM IN DOOR LINE TO 6'-0" ABOVE FINISHED FLOOR.
- VARIABLE DOOR OPENING SPEED; UP TO 24"/SEC.
- PROGRAMMABLE UPPER AND LOWER LIMITS.
- NEMA 4X SYSTEM 4 CONTROL BOX (8.5"x16.5").
- ELECTRICAL FAIL SAFE REVERSING EDGE.
- ONE (1) SET PATHWATCH LEDS.

UPGRADE OPTIONS

- RIGHT HAND DRIVE
- ROTARY DISCONNECT (\$)
- BTA4 (BLUETOOTH ACCESS TERMINAL) (\$)
- NIGHT SWITCH FUNCTION: _____
- SELECTOR SWITCH ON CONTROL BOX (\$)
- FUNCTION: _____
- PHOTOEYES IN LIEU OF LIGHT CURTAIN (\$)

PANEL OPTIONS

- INSULATED SOLID SLATS (\$)
- WINDOWS (\$)
- 1 2 3 4 OTHER _____
- VENTS (\$)
- 1 2 3 4 OTHER _____
- VISION HEIGHT (DIM 'J')
- 33" 39" 51"

UP TO FOUR (4) VISION/VENT SLATS PER GROUP WITH AT LEAST ONE (1) SOLID SLAT SEPARATING GROUPS.

OR UP TO SEVEN (7) VISION/VENT SLATS PER GROUP W/ AT LEAST TWO (2) SOLID SLATS SEPARATING GROUPS.

ACTIVATION OPTIONS (\$)

- | | |
|--|--|
| <input type="checkbox"/> PUSHBUTTON | <input type="checkbox"/> DUAL LOOP CONTROLLER |
| <input type="checkbox"/> PULL CORDS | <input type="checkbox"/> RADIO CONTROL RCVR (INCLUDE MIN 2 XMIT) |
| <input type="checkbox"/> MOTION DETECTOR | — 1 BTN TRANSMITTER |
| <input type="checkbox"/> PRESENCE DET. | — 2 BTN TRANSMITTER |
| <input type="checkbox"/> MOTION/PRESENCE | — 4 BTN TRANSMITTER |

OPTION NOTES

(\$) = PRICING CHANGE IF NOT INCLUDED IN QUOTE

PLEASE SPECIFY VOLTAGE

RYTEC CORPORATION

ONE CEDAR PARKWAY, JACKSON, WI 53037-0403

APPROVAL DRAWING

SPIRAL LP MODEL SSN-LP-S

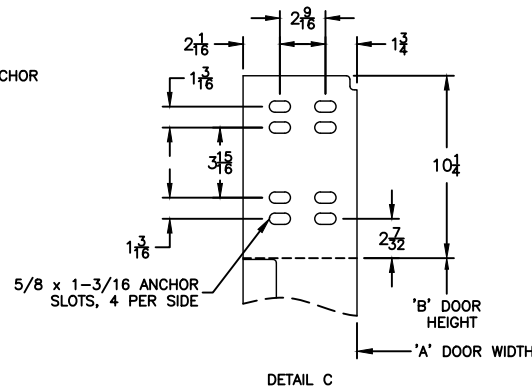
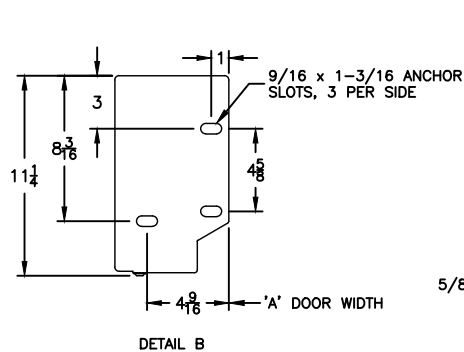
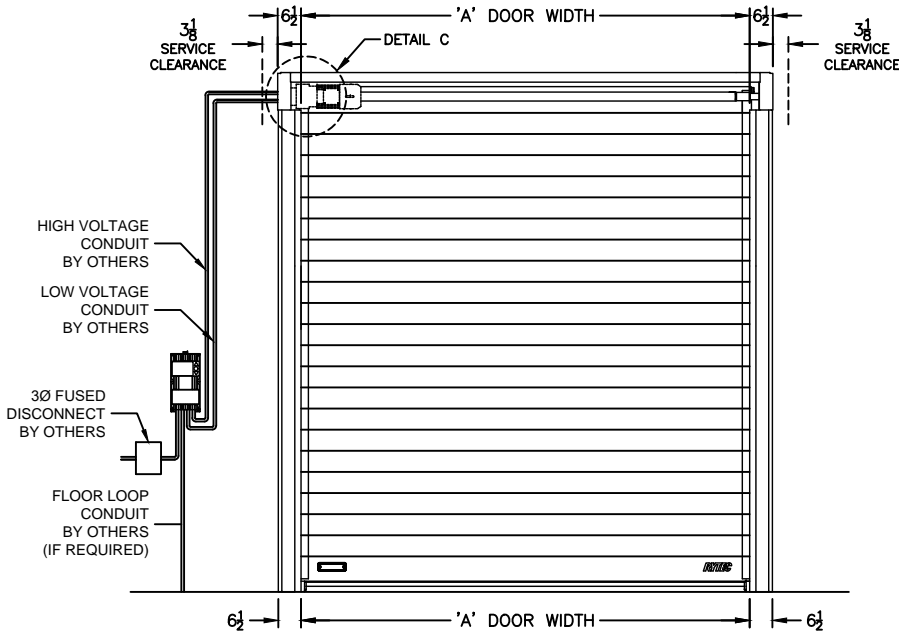
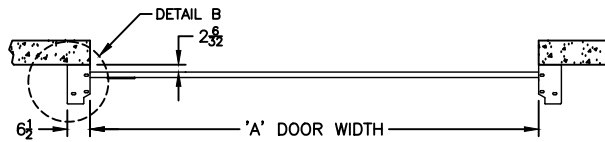
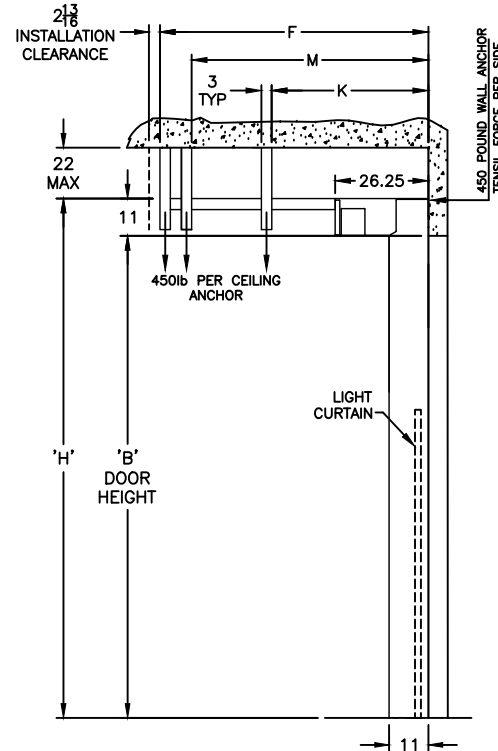
DOOR WIDTHS 13'-2" TO 20'-0", HEIGHT UP TO 12'-0"

CUSTOMER: _____

LOCATION: _____

DATE: _____

DRAWING NO.: 732-01T REV.: _____



FORMULAS

F = (B + 30.50); FOR B < 91
 F = (B + 11.00); FOR B >= 91

M = (B + 20.00); FOR B < 91
 M = B; FOR B >= 91

K = NOT REQ'D; FOR B < 99
 K = 72.00; FOR B >= 99

FINAL APPROVAL SIGNATURE

FABRICATION CAN PROCEED ACCORDING TO THE SPECIFICATION SHOWN EXCEPT AS NOTED

APPROVED BY: _____

PRINT NAME: _____

SIGNATURE: _____

DATE: _____

REV	DESCRIPTION	DATE	BY