

DIMENSIONAL VARIABLES

DRAWING NOT TO SCALE. DIMENSIONS IN INCHES

DOOR NO.	A	B	C	H

MILLIMETERS
 ACTUAL DOOR SIZE IS PRODUCED IN MILLIMETERS
 REQUESTED DOOR SIZE IS CONVERTED TO MILLIMETERS
 AND ROUNDED UP TO THE NEAREST 10MM

ELECTRICAL OPTIONS

- 460v - 3ph
- 230v/208v - 3ph
- 230v - 1ph
- 480v OPEN DELTA, UNGROUNDED (\$)
- 575v - 3ph (\$)
 (INCLUDES NEMA 4 METAL ENCLOSURE WITH 575/460 TRANSFORMER)

STANDARD FEATURES

- SIDE COLUMN AND HEAD CONSOLE POWDER COATED RYTEC SILVER.
- INTELLIGENT LIGHT CURTAIN SYSTEM IN DOOR LINE TO 6'-0" ABOVE FINISHED FLOOR.
- SMARTSURROUND ADVANCED DETECTION AND ALERT SYSTEM.
- VARIABLE DOOR OPENING SPEED; UP TO 60"/SEC.
- PROGRAMMABLE UPPER AND LOWER LIMITS.
- NEMA 4X SYSTEM 4 CONTROL BOX (8.5"x16.5").
- BRAKE RELEASE LEVER ON SIDE COLUMN.

UPGRADE OPTIONS

- BRAKE RELEASE LEVER:**
- SIDE COLUMN REMOTE MOUNT (\$) BOTH (\$)
 - SLANT HOOD (INCLUDES FRONT/BOTTOM COVERS) (\$)
 - FLAT HOOD (INCLUDES FRONT/BOTTOM COVERS) (\$)
 - FRONT AND BOTTOM HEAD COVERS ONLY (\$)
 - RIGHT HAND DRIVE
 - ROTARY DISCONNECT (\$)
 - BT4 (BLUETOOTH ACCESS TERMINAL) (\$)
 - SIDE COLUMN MOUNT: LH RH NONE-REMOTE
 - BT4 NIGHT SWITCH
 - FUNCTION: _____
 - FULL HEIGHT ACTIVE REVERSING EDGE SENSOR (\$)

PANEL OPTIONS

- INSULATED SOLID SLATS (\$)
 - WINDOWS (\$)
 - 1 2 3 4 OTHER _____
 - VENTS (\$)
 - 1 2 3 4 OTHER _____
 - VISION HEIGHT (DIM 'J')
 - 33" 39" 51"
- UP TO FOUR (4) VISION/VENT SLATS PER GROUP WITH AT LEAST ONE (1) SOLID SLAT SEPARATING GROUPS.
 OR UP TO SEVEN (7) VISION/VENT SLATS PER GROUP W/ AT LEAST TWO (2) SOLID SLATS SEPARATING GROUPS.

ACTIVATION OPTIONS (\$)

- _ PUSHBUTTON DUAL LOOP CONTROLLER
- _ PULL CORDS RADIO CONTROL RCVR (INCLUDE MIN 2 XMIT)
- _ MOTION DETECTOR _____
- _ PRESENCE DET. _____ 1 BTN TRANSMITTER
- _ MOTION/PRESENCE _____ 2 BTN TRANSMITTER
- _____ 4 BTN TRANSMITTER

OPTION NOTES

(\$) = PRICING CHANGE IF NOT INCLUDED IN QUOTE

PLEASE SPECIFY VOLTAGE

RYTEC CORPORATION

ONE CEDAR PARKWAY, JACKSON, WI 53037-0403

**APPROVAL DRAWING
 SPIRAL MODEL SST-L/R**

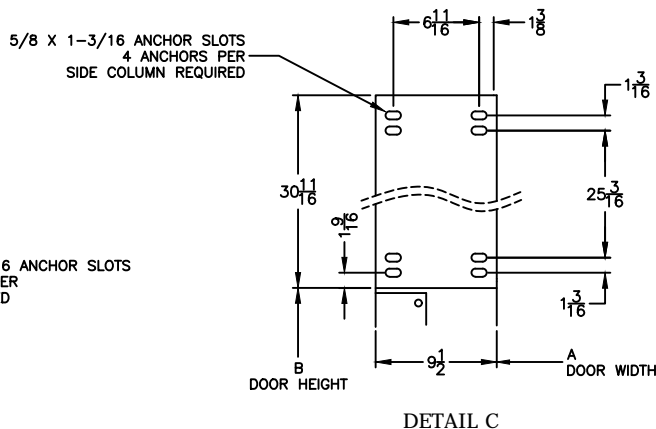
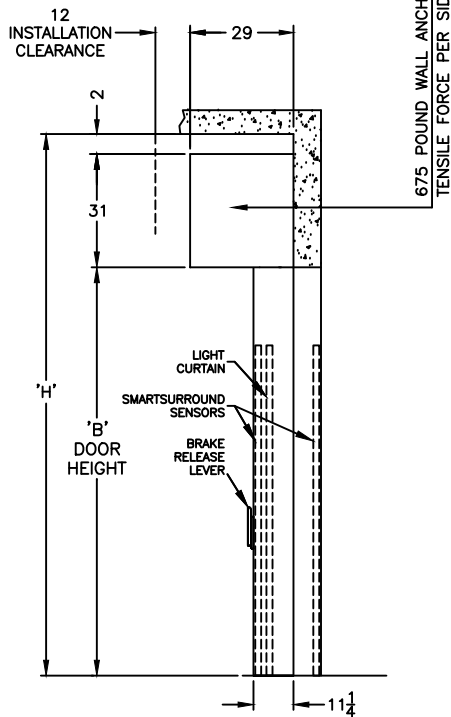
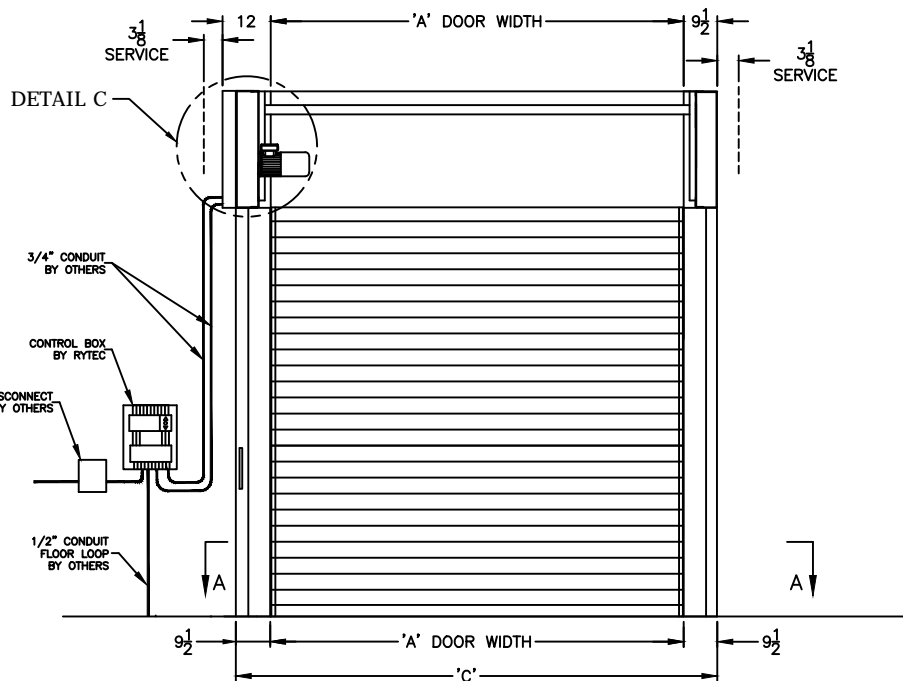
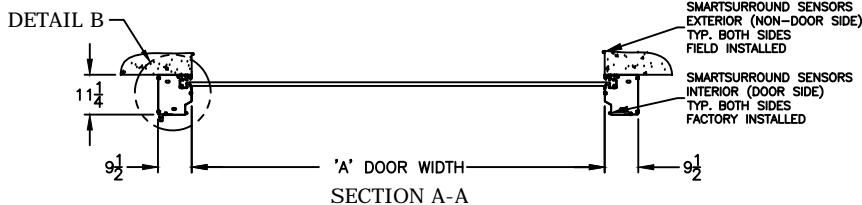
FOR DOOR WIDTH UP TO 13'-1", HEIGHT UP TO 13'-1"

CUSTOMER: _____

LOCATION: _____

DATE: _____ REV.: _____

DRAWING NO.: 722-01T



FINAL APPROVAL SIGNATURE

FABRICATION CAN PROCEED ACCORDING TO THE SPECIFICATION SHOWN EXCEPT AS NOTED

APPROVED BY: _____

PRINT NAME: _____

SIGNATURE: _____

DATE: _____

REV	DESCRIPTION	DATE	BY