

**DIMENSIONAL VARIABLES**  
DRAWING NOT TO SCALE. DIMENSIONS IN INCHES

DOOR NO.	A	B	HI-LIFT	C	D1	D2	D3
MILLIMETERS							

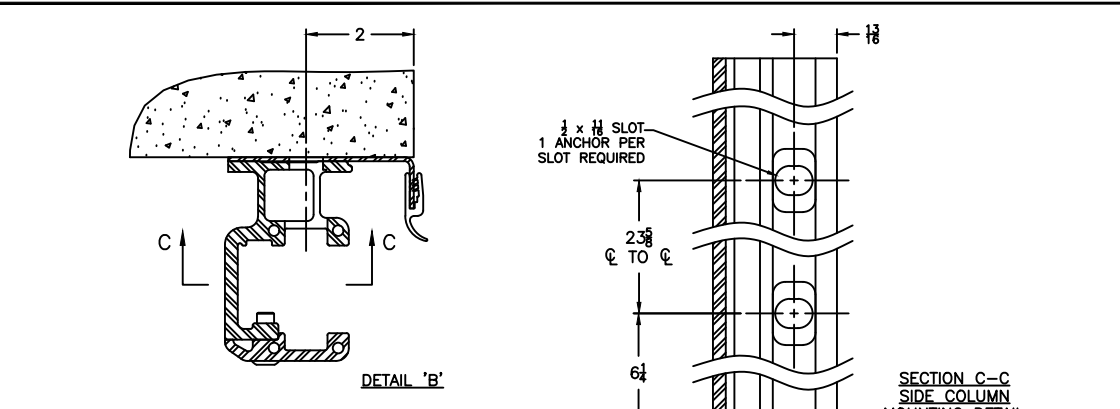
ACTUAL DOOR SIZE IS PRODUCED IN MILLIMETERS  
REQUESTED DOOR SIZE IS CONVERTED TO MILLIMETERS  
AND ROUNDED UP TO THE NEAREST 10MM

**ELECTRICAL NOTICES**  
\*\*\*ALL DOORS ARE 120V SINGLE PHASE\*\*\*

- STANDARD FEATURES**
1. FOR APPLICATIONS OF 50 CYCLE OR LESS PER DAY
  2. LIFTMASTER OPERATOR.
  3. ONE THRU-BEAM PHOTOEYE SET.
  4. NOT INTENDED FOR AUTOMATIC CLOSING APPLICATIONS
  5. DOOR OPENING SPEED OF 8"/SECOND.
  6. DOOR CLOSING SPEED OF 8"/SECOND.
  7. ONE (1) O/C/S PUSHBUTTON.

- STANDARD OPTIONS**
- CHAIN HOIST (\$)  
 RIGHT HAND DRIVE
- ACTIVATION OPTIONS (\$)**
- PUSHBUTTON       RADIO CONTROL RCVR  
(INCLUDE MIN 2 XMIT)  
 PULL CORDS      — 1 BTN TRANSMITTER  
                             — 3 BTN TRANSMITTER

**OPTION NOTES**  
(\$ ) = PRICING CHANGE IF NOT INCLUDED IN QUOTE



**FORMULAS**

- 'A' = PRODUCTION WIDTH (PW)
- 'B' = PRODUCTION HEIGHT (PH)
- 'C' = 'A' + 7.00in [178mm]
- 'D1' = HI-LIFT + 2.70in [69mm]
- 'D2' = 'B' - HI-LIFT + 30in [762mm]
- 'D3' = 'B' + 'D1'

MAX HI-LIFT = 120.00in [3048mm]  
MIN HI-LIFT = 18.00in [457mm]

**FINAL APPROVAL SIGNATURE**  
FABRICATION CAN PROCEED ACCORDING TO THE SPECIFICATION SHOWN EXCEPT AS NOTED

APPROVED BY: \_\_\_\_\_  
PRINT NAME: \_\_\_\_\_  
SIGNATURE: \_\_\_\_\_  
DATE: \_\_\_\_\_

**RYTEC CORPORATION**  
ONE CEDAR PARKWAY, JACKSON, WI 53037-0403

**APPROVAL DRAWING**  
SPIRAL FV MODEL VPB - BALANCED HIGH LIFT  
FOR DOOR WIDTH UP TO 14'-0", HEIGHT UP TO 14'-0"

CUSTOMER: \_\_\_\_\_  
LOCATION: \_\_\_\_\_  
DATE: \_\_\_\_\_ REV.: \_\_\_\_\_  
DRAWING NO.: 712-01T -H

REV	DESCRIPTION	DATE	BY