

DIMENSIONAL VARIABLES
DRAWING NOT TO SCALE; DIMENSIONS IN INCHES

DOOR NO.	A	B	HI-LIFT	C	D1	D2	D3

MILLIMETERS

ACTUAL DOOR SIZE IS PRODUCED IN MILLIMETERS
REQUESTED DOOR SIZE IS CONVERTED TO MILLIMETERS
AND ROUNDED UP TO THE NEAREST 10MM

ELECTRICAL OPTIONS
ALL DOORS ARE 120V SINGLE PHASE

STANDARD FEATURES

1. FOR APPLICATIONS OF 50 CYCLE OR LESS PER DAY
2. LIFTMASTER OPERATOR.
3. ONE THRU-BEAM PHOTOEYE SET.
4. NOT INTENDED FOR AUTOMATIC CLOSING APPLICATIONS
5. DOOR OPENING SPEED OF 8"/SECOND.
6. DOOR CLOSING SPEED OF 8"/SECOND.
7. ONE (1) O/C/S PUSHBUTTON.

STANDARD OPTIONS

- CHAIN HOIST
- RIGHT HAND DRIVE

PANEL OPTIONS

- INSULATED SOLID SLATS
- WINDOWS
 - 1 2 3 4 OTHER _____
- VENTS
 - 1 2 3 4 OTHER _____

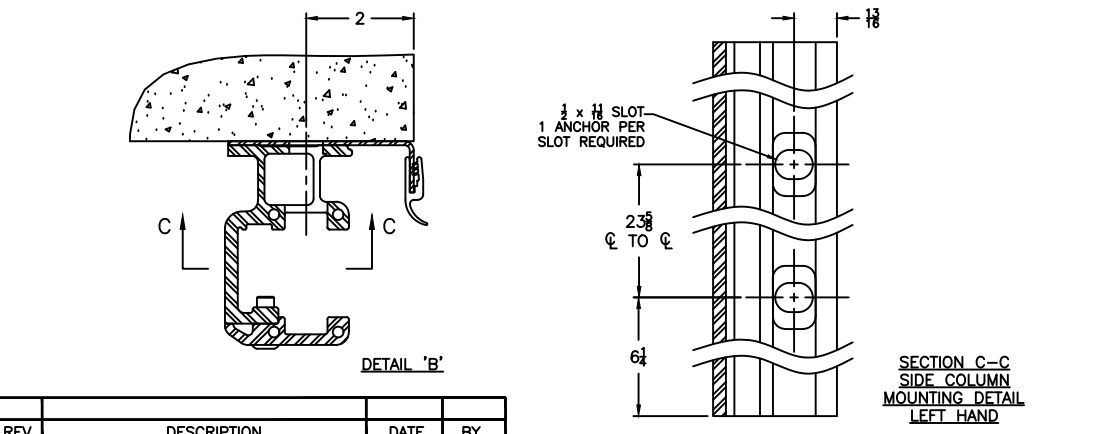
UP TO FOUR (4) VISION/VENT SLATS PER GROUP WITH AT LEAST ONE (1) SOLID SLAT SEPARATING GROUPS
OR UP TO SEVEN (7) VISION/VENT SLATS PER GROUP W/ AT LEAST TWO (2) SOLID SLATS SEPARATING GROUPS.

ACTIVATION

- _____ PUSHBUTTON
- _____ PULL CORDS
- RADIO CONTROL RCVR (INCLUDE MIN 2 XMIT)
- _____ 1 BTN TRANSMITTER
- _____ 3 BTN TRANSMITTER

OPTION NOTES

ADDITIONAL NOTES:



FORMULAS

- 'A' = PRODUCTION WIDTH (PW)
- 'B' = PRODUCTION HEIGHT (PH)
- 'C' = 'A' + 7.00in [178mm]
- 'D1' = HI-LIFT + 2.70in [69mm]
- 'D2' = 'B' - HI-LIFT + 30in [762mm]
- 'D3' = 'B' + 'D1'

MAX HI-LIFT = 120.00in [3048mm]
MIN HI-LIFT = 18.00in [457mm]

APPROVAL SIGNATURE

FABRICATION CAN PROCEED ACCORDING TO THE SPECIFICATION SHOWN EXCEPT AS NOTED

APPROVED BY: _____

PRINT NAME: _____

SIGNATURE: _____

DATE: _____

RYTEC CORPORATION
ONE CEDAR PARKWAY, JACKSON, WI 53037-0403

APPROVAL DRAWING
SPIRAL MODEL VPB - BALANCED
HIGH LIFT

FOR DOOR WIDTH UP TO 14'-0", HEIGHT UP TO 14'-0"

CUSTOMER: _____

LOCATION: _____

DATE: _____ REV.: _____

DRAWING NO.: 711-01T -H

REV	DESCRIPTION	DATE	BY