

DIMENSIONAL VARIABLES

DRAWING NOT TO SCALE. DIMENSIONS IN INCHES

DOOR NO.	A	B	C	H

MILLIMETERS

--	--	--	--	--

ACTUAL DOOR SIZE IS PRODUCED IN MILLIMETERS
REQUESTED DOOR SIZE IS CONVERTED TO MILLIMETERS
AND ROUNDED UP TO THE NEAREST 10MM

ELECTRICAL OPTIONS

- | | |
|--|-------------------------------------|
| <input type="checkbox"/> 460v - 3ph | <input type="checkbox"/> 575v - 3ph |
| <input type="checkbox"/> 230v/208v - 3ph | (INCLUDES NEMA 4 METAL |
| <input type="checkbox"/> 230v/208v - 1ph | ENCLOSURE WITH 575/460 |
| | TRANSFORMER) |

STANDARD FEATURES

- SIDE COLUMN AND HEAD CONSOLE POWDER COATED RYTEC SILVER.
- INTELLIGENT LIGHT CURTAIN SYSTEM IN DOOR LINE TO 6'-0" ABOVE FINISHED FLOOR.
- VARIABLE DOOR OPENING SPEED; UP TO 60"/SEC.
- PROGRAMMABLE UPPER AND LOWER LIMITS.
- NEMA 4X SYSTEM 4 CONTROL BOX (8.5"x16.5").
- BRAKE RELEASE LEVER ON SIDE COLUMN.
- ELECTRICAL FAIL SAFE REVERSING EDGE.
- ONE (1) SET PATHWATCH LEDS.

STANDARD OPTIONS

- BRAKE RELEASE LEVER
- SIDE COLUMN REMOTE MOUNT BOTH
- SLANT HOOD (INCLUDES FRONT/BOTTOM COVERS)
- FLAT HOOD (INCLUDES FRONT/BOTTOM COVERS)
- FRONT AND BOTTOM HEAD COVERS ONLY
- RIGHT HAND DRIVE
- ROTARY DISCONNECT
- SELECTOR SWITCH ON CONTROL BOX
- FUNCTION: _____
- PHOTOEYES IN LIEU OF LIGHT CURTAINS

PANEL OPTIONS

- INSULATED SOLID SLATS
- WINDOWS
- 1 2 3 4 OTHER _____
- VENTS
- 1 2 3 4 OTHER _____
- VISION HEIGHT (DIM 'J')
- 33" 39" 51"
- UP TO FOUR (4) VISION/VENT SLATS PER GROUP WITH AT LEAST ONE (1) SOLID SLAT SEPARATING GROUPS.
- OR UP TO SEVEN (7) VISION/VENT SLATS PER GROUP W/ AT LEAST TWO (2) SOLID SLATS SEPARATING GROUPS.

ACTIVATION

- | | |
|--|---|
| <input type="checkbox"/> _ PUSHBUTTON | <input type="checkbox"/> DUAL LOOP CONTROLLER |
| <input type="checkbox"/> _ PULL CORDS | <input type="checkbox"/> RADIO CONTROL RCVR |
| <input type="checkbox"/> _ MOTION DETECTOR | (INCLUDE MIN 2 XMIT) |
| <input type="checkbox"/> _ PRESENCE DET. | — 1 BTN TRANSMITTER |
| <input type="checkbox"/> _ MOTION/PRESENCE | — 2 BTN TRANSMITTER |
| | — 4 BTN TRANSMITTER |

OPTION NOTES

ADDITIONAL NOTES:

PLEASE SPECIFY VOLTAGE

RYTEC CORPORATION

ONE CEDAR PARKWAY, JACKSON, WI 53037-0403

**APPROVAL DRAWING
SPIRAL MODEL SST-L/R**

FOR DOOR WIDTH UP TO 13'-1", HEIGHT UP TO 13'-1"

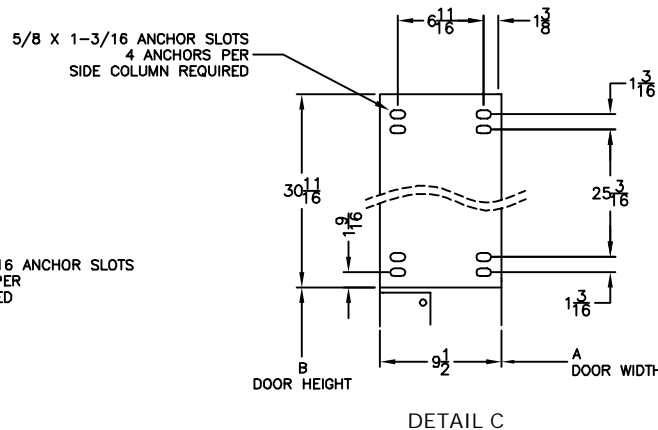
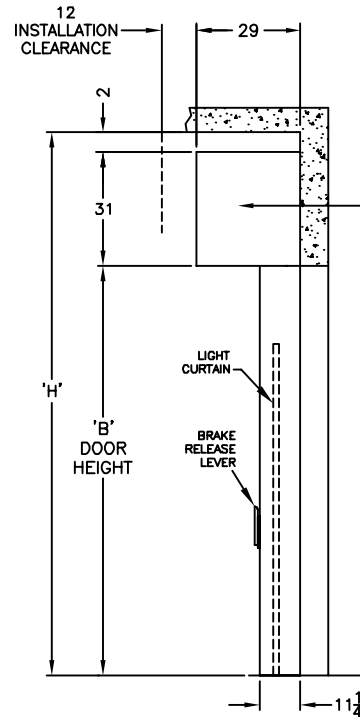
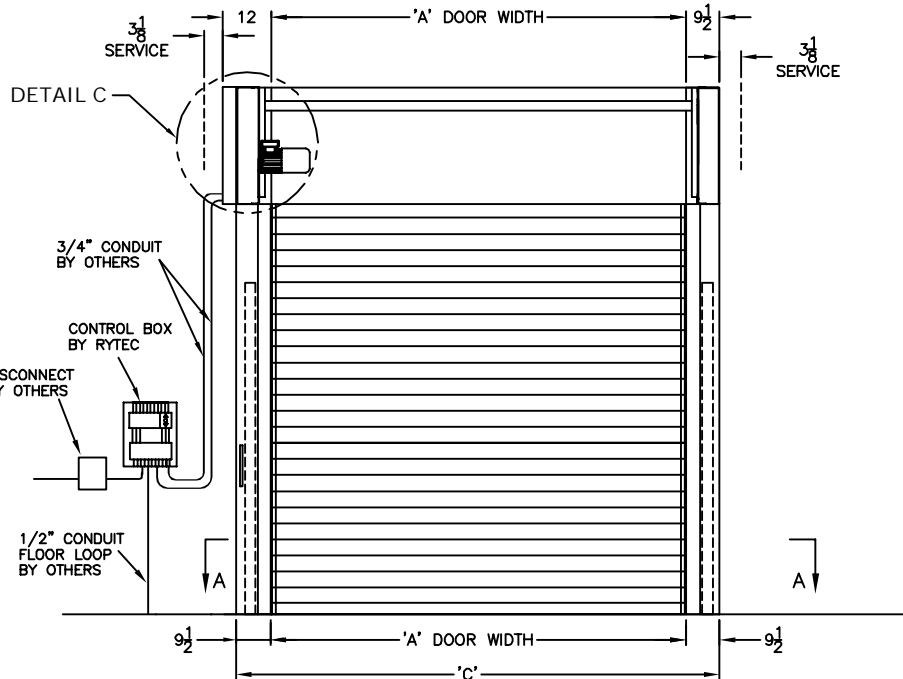
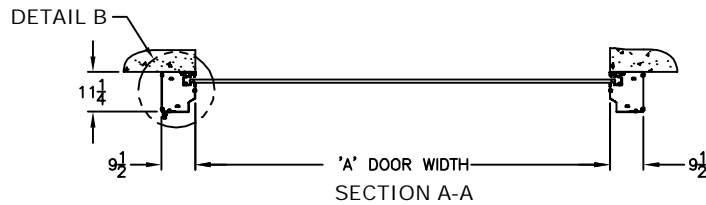
CUSTOMER: _____

LOCATION: _____

DATE: _____

DRAWING NO.: 722-01T

675 POUND WALL ANCHOR
TENSILE FORCE PER SIDE



APPROVAL SIGNATURE

FABRICATION CAN PROCEED ACCORDING TO THE SPECIFICATION SHOWN EXCEPT AS NOTED

APPROVED BY: _____

PRINT NAME: _____

SIGNATURE: _____

DATE: _____

REV	DESCRIPTION	DATE	BY