

DRAWING NOT TO SCALE, ALL DIMENSIONS IN INCHES

DOOR NO.	A	B	C	D	E	H

MODEL

MODEL: TS -	PANEL COLOR
PANEL MATERIAL	<input type="checkbox"/> BLUE
<input type="checkbox"/> 2-PLY RILON	<input type="checkbox"/> ORANGE
<input type="checkbox"/> 3-PLY RILON	<input type="checkbox"/> OTHER
<input type="checkbox"/> OTHER	

ELECTRICAL OPTIONS

- 460v - 3ph
- 230v/208v - 3ph
- 230v/208v - 1ph
- 575v - 3ph
- OTHER

STANDARD FEATURES

1. WIRELESS BOTTOM BAR (NO COIL CORD)
2. SYSTEM 4 AC DRIVE
3. COUNTERWEIGHTED EGRESS ASSIST.
4. (2) SETS SAFETY PHOTOEYES.
5. SELF REPAIRING/RESETTING DOOR - IF BOTTOM BAR IS IMPACTED FROM EITHER DIRECTION, THE DOOR RECOGNIZES AND AUTOMATICALLY REPAIRS AND RESETS THE DOOR WITHOUT REQUIRING MANUAL REPAIR WORK OR RESETTING OF CONTROLS. NOTE: WINDRIBS CANNOT BE BROKEN AWAY AND MAY BE DAMAGED IF DONE SO.

STANDARD OPTIONS

- FLAT HOOD SLANT HOOD
- 17" WINDOWS: ONE TWO
- WINDRIBS: ONE TWO
- SAFETY LIGHT CURTAIN
- 575/460V STEP DOWN TRANSFORMER INCLUDED IN RYTEC CONTROL BOX
- ROTARY DISCONNECT (NOT FUSED)
- OTHERS (DESCRIBE IN NOTES)

ACTIVATION

- ___ PHOTOEYE
- ___ PULL CORDS
- ___ MOTION DETECTOR
- ___ RADIO CONTROL
- ___ PUSHBUTTON
- ___ FLOOR LOOP
- ___ OTHERS (DESCRIBE IN NOTES)

OPTION NOTES

NOTES:

RYTEC CORPORATION
ONE CEDAR PARKWAY, JACKSON, WI 53037-0403

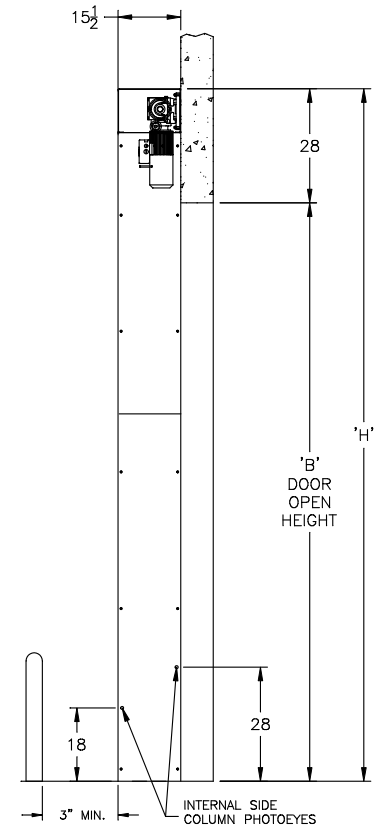
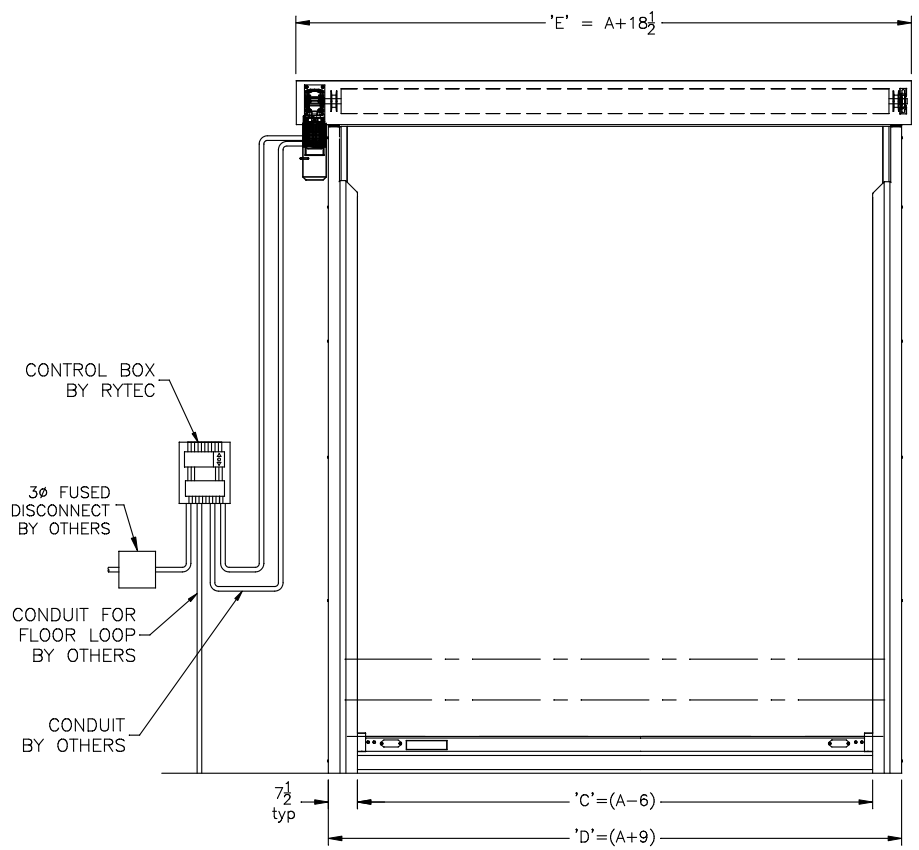
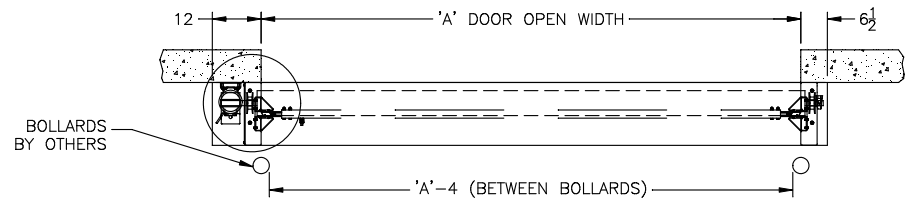
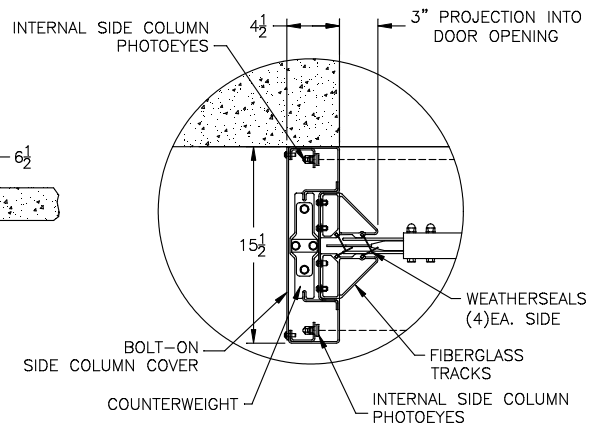
APPROVAL DRAWING
TURBO SEAL-SR® SYSTEM 4

CUSTOMER: _____

LOCATION: _____

DATE: _____ REV.: _____

DRAWING NO.: 401054-05T



APPROVAL SIGNATURE
FABRICATION CAN PROCEED ACCORDING TO THE SPECIFICATION SHOWN EXCEPT AS NOTED

APPROVED BY: _____

PRINT NAME: _____

SIGNATURE: _____

DATE: _____