

**DIMENSIONAL VARIABLES**

DRAWING NOT TO SCALE; DIMENSIONS IN INCHES

DOOR NO.	A	B	C	F	M	K1	K	H
MILLIMETERS								

ACTUAL DOOR SIZE IS PRODUCED IN MILLIMETERS  
REQUESTED DOOR SIZE IS CONVERTED TO MILLIMETERS  
AND ROUNDED UP TO THE NEAREST 10MM

**ELECTRICAL OPTIONS**

- |  |  |
|--|--|
| <input type="checkbox"/> 460v - 3ph      | <input type="checkbox"/> 575v - 3ph (\$)                   |
| <input type="checkbox"/> 230v/208v - 3ph | (INCLUDES NEMA 4 METAL ENCLOSURE WITH 575/460 TRANSFORMER) |
| <input type="checkbox"/> 230v/208v - 1ph |  |

**STANDARD FEATURES**

- SIDE COLUMN AND HEAD CONSOLE POWDER COATED RYTEC SILVER.
- INTELLIGENT LIGHT CURTAIN SYSTEM IN DOOR LINE TO 6'-0" ABOVE FINISHED FLOOR.
- VARIABLE DOOR OPENING SPEED; UP TO 60"/SEC.
- PROGRAMMABLE UPPER AND LOWER LIMITS.
- NEMA 4X SYSTEM 4 CONTROL BOX (8.5"x16.5").
- BRAKE RELEASE LEVER ON SIDE COLUMN.
- ELECTRICAL FAIL SAFE REVERSING EDGE.
- ONE (1) SET PATHWATCH LEDS.

**UPGRADE OPTIONS**

- BRAKE RELEASE LEVER**
- SIDE COLUMN  REMOTE MOUNT (\$)  BOTH (\$)
- RIGHT HAND DRIVE
- ROTARY DISCONNECT (\$)
- SELECTOR SWITCH ON CONTROL BOX (\$)
- FUNCTION:
- PHOTOEYES IN LIEU OF LIGHT CURTAINS (\$)

**ACTIVATION OPTIONS (\$)**

- |  |   |
|--|---|
| <input type="checkbox"/> — PUSHBUTTON      | <input type="checkbox"/> DUAL LOOP CONTROLLER |
| <input type="checkbox"/> — PULL CORDS      | <input type="checkbox"/> RADIO CONTROL RCVR   |
| <input type="checkbox"/> — MOTION DETECTOR | (INCLUDE MIN 2 XMIT)                          |
| <input type="checkbox"/> — PRESENCE DET.   | — 1 BTN TRANSMITTER                           |
| <input type="checkbox"/> — MOTION/PRESENCE | — 2 BTN TRANSMITTER                           |
|  | — 4 BTN TRANSMITTER                           |

**OPTION NOTES**

(\$ ) = PRICING CHANGE IF NOT INCLUDED IN QUOTE

— FULL VENTILATED PANEL ASSEMBLY

\*\*\*PLEASE SPECIFY VOLTAGE\*\*\*

**HANGER FORMULAS**

- K = NOT REQUIRED; FOR B<98  
K = 72; FOR B>=98
- K1 = NOT REQUIRED; FOR B<161  
K1 = 135; FOR B>=161
- M = B+20; FOR B<91  
M = B; FOR B>=91
- F = B+31; FOR B<91  
F = B+11; FOR B>=91

**FINAL APPROVAL SIGNATURE**

FABRICATION CAN PROCEED ACCORDING TO THE SPECIFICATION SHOWN EXCEPT AS NOTED

APPROVED BY: \_\_\_\_\_

PRINT NAME: \_\_\_\_\_

SIGNATURE: \_\_\_\_\_

DATE: \_\_\_\_\_

**RYTEC CORPORATION**  
ONE CEDAR PARKWAY, JACKSON, WI 53037-0403

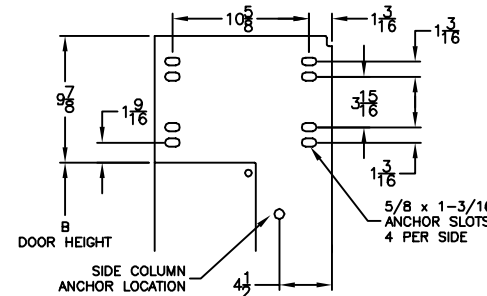
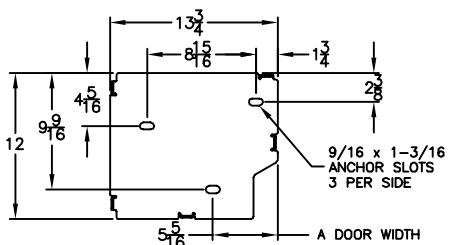
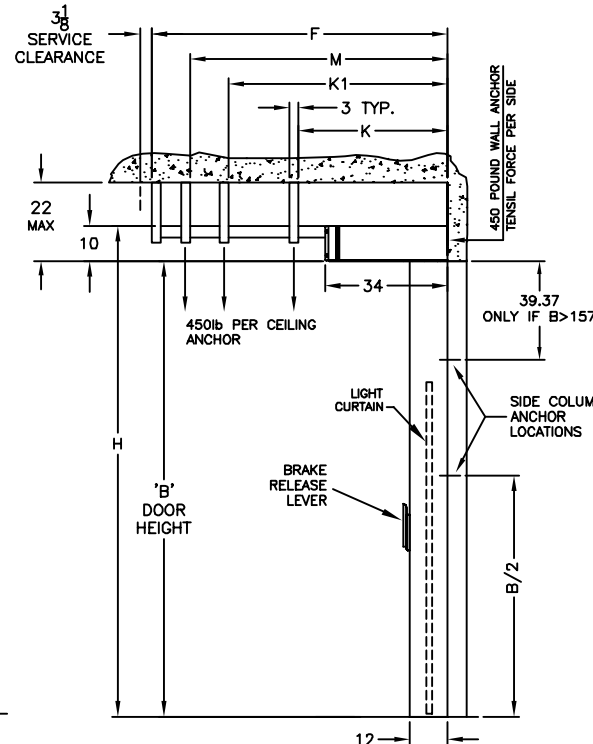
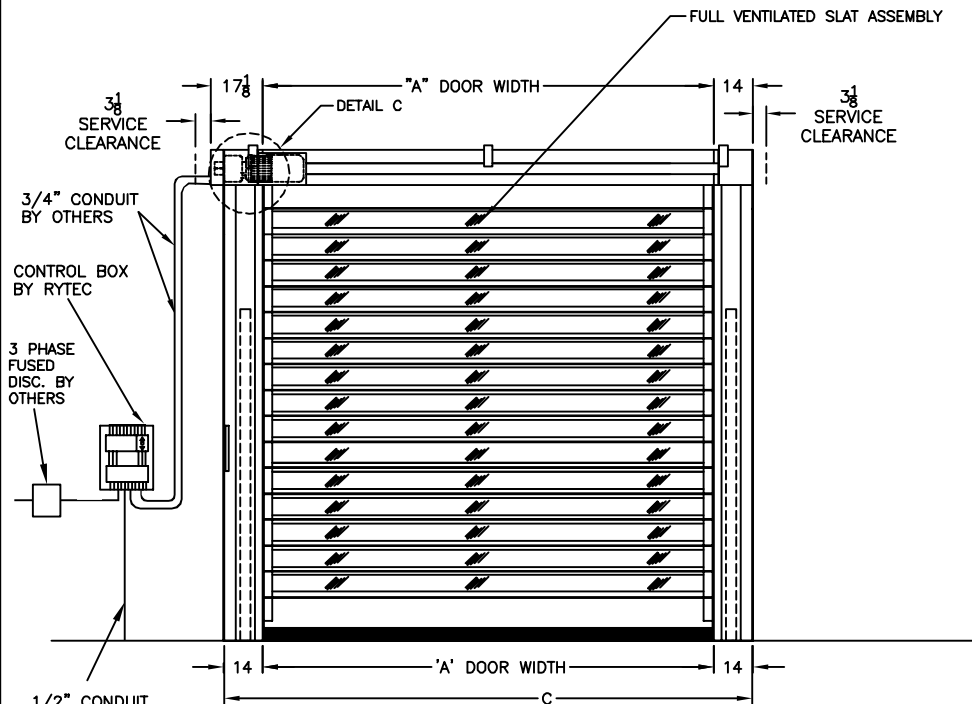
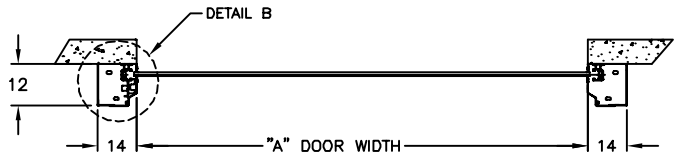
**APPROVAL DRAWING**  
**SPIRAL LH-FULL VENTILATED, STN-S**  
FOR DOOR WIDTH UP TO 18'-0", HEIGHT UP TO 16'-4"

CUSTOMER: \_\_\_\_\_

LOCATION: \_\_\_\_\_

DATE: \_\_\_\_\_

DRAWING NO.: 716-02T      REV.: \_\_\_\_\_



DETAIL B

DETAIL C

REV	DESCRIPTION	DATE	BY