

DIMENSIONAL VARIABLES

DRAWING NOT TO SCALE; DIMENSIONS IN INCHES

DOOR NO.	A	B	C	F	M	K1	K	H
MILLIMETERS								

ACTUAL DOOR SIZE IS PRODUCED IN MILLIMETERS
REQUESTED DOOR SIZE IS CONVERTED TO MILLIMETERS
AND ROUNDED UP TO THE NEAREST 10MM

ELECTRICAL OPTIONS

- | | |
|------------------------------------------|------------------------------------------------------------|
| <input type="checkbox"/> 460v - 3ph | <input type="checkbox"/> 575v - 3ph (\$) |
| <input type="checkbox"/> 230v/208v - 3ph | (INCLUDES NEMA 4 METAL ENCLOSURE WITH 575/460 TRANSFORMER) |
| <input type="checkbox"/> 230v/208v - 1ph | |

STANDARD FEATURES

- SIDE COLUMN AND HEAD CONSOLE POWDER COATED RYTEC SILVER.
- INTELLIGENT LIGHT CURTAIN SYSTEM IN DOOR LINE TO 6'-0" ABOVE FINISHED FLOOR.
- VARIABLE DOOR OPENING SPEED; UP TO 60"/SEC.
- PROGRAMMABLE UPPER AND LOWER LIMITS.
- NEMA 4X SYSTEM 4 CONTROL BOX (8.5"x16.5").
- BRAKE RELEASE LEVER ON SIDE COLUMN.
- ELECTRICAL FAIL SAFE REVERSING EDGE.
- ONE (1) SET PATHWATCH LEDS.

UPGRADE OPTIONS

- BRAKE RELEASE LEVER
- SIDE COLUMN REMOTE MOUNT (\$) BOTH (\$)
- RIGHT HAND DRIVE
- ROTARY DISCONNECT (\$)
- SELECTOR SWITCH ON CONTROL BOX (\$)
- FUNCTION:
- PHOTOEYES IN LIEU OF LIGHT CURTAINS(\$)

ACTIVATION OPTIONS (\$)

- | | |
|--------------------------------------------|-----------------------------------------------|
| <input type="checkbox"/> — PUSHBUTTON | <input type="checkbox"/> DUAL LOOP CONTROLLER |
| <input type="checkbox"/> — PULL CORDS | <input type="checkbox"/> RADIO CONTROL RCVR |
| <input type="checkbox"/> — MOTION DETECTOR | (INCLUDE MIN 2 XMIT) |
| <input type="checkbox"/> — PRESENCE DET. | — 1 BTN TRANSMITTER |
| <input type="checkbox"/> — MOTION/PRESENCE | — 2 BTN TRANSMITTER |
| | — 4 BTN TRANSMITTER |

OPTION NOTES

(\$) = PRICING CHANGE IF NOT INCLUDED IN QUOTE

— FULL VISION PANEL ASSEMBLY

PLEASE SPECIFY VOLTAGE

HANGER FORMULAS

- K = NOT REQUIRED; FOR B<98
K = 72; FOR B>=98
- K1 = NOT REQUIRED; FOR B<161
K1 = 135; FOR B>=161
- M = B+20; FOR B<91
M = B; FOR B>=91
- F = B+31; FOR B<91
F = B+11; FOR B>=91

FINAL APPROVAL SIGNATURE

FABRICATION CAN PROCEED ACCORDING TO THE SPECIFICATION SHOWN EXCEPT AS NOTED

APPROVED BY: _____

PRINT NAME: _____

SIGNATURE: _____

DATE: _____

RYTEC CORPORATION
ONE CEDAR PARKWAY, JACKSON, WI 53037-0403

APPROVAL DRAWING
SPIRAL LH-FV MODEL STN-S

FOR DOOR WIDTH UP TO 18'-0", HEIGHT UP TO 16'-4"

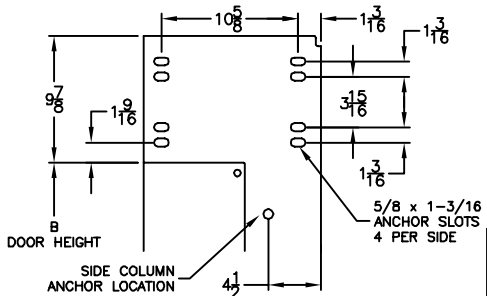
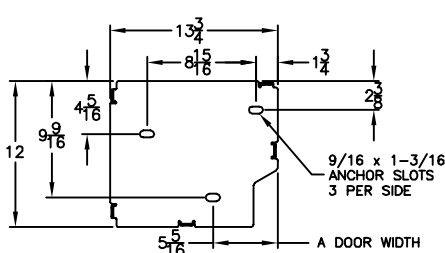
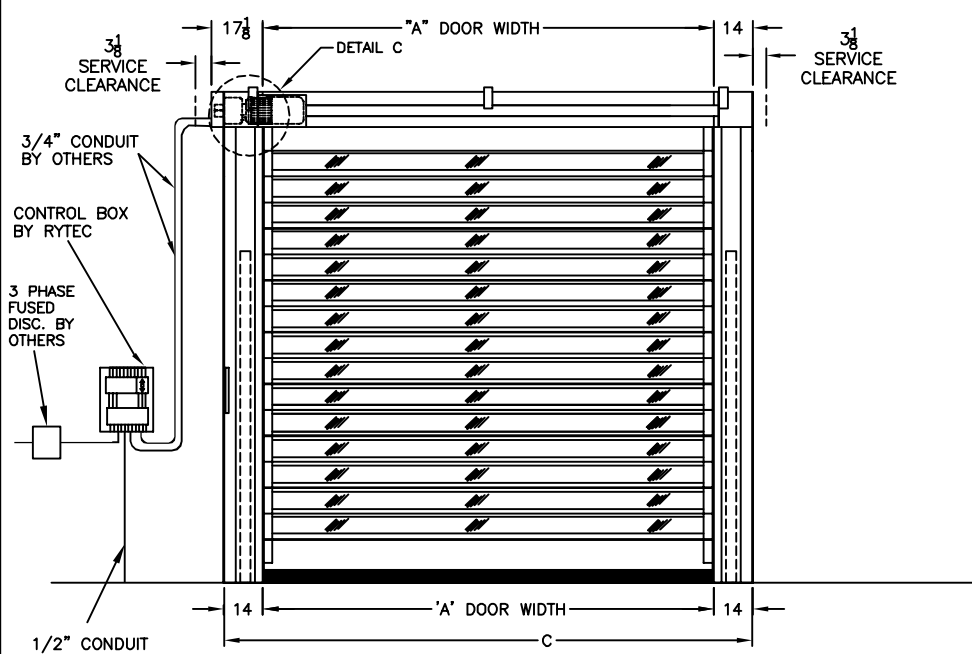
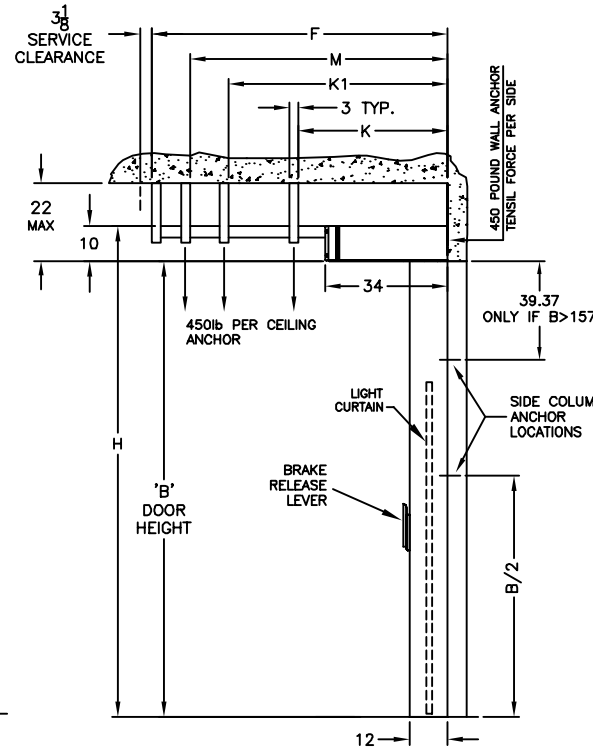
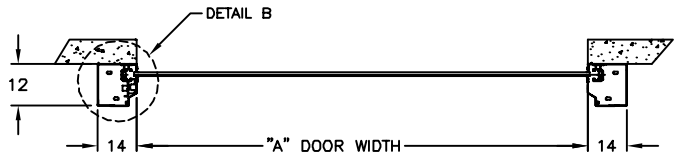
CUSTOMER: _____

LOCATION: _____

DATE: _____

DRAWING NO.: 716-01T

REV.: _____



REV	DESCRIPTION	DATE	BY