

# EXCLUSIVE SYSTEM 4<sup>®</sup> CONTROLLER



Powerful functionality and unprecedented efficiency - The Rytec<sup>®</sup> System 4<sup>®</sup> Door Controller is also fast, smart and easy to install. The intelligent processor and variable frequency drive generate an energy efficient speed curve for smooth motion and soft starting and stopping. Whether it is a rolling, folding or sliding door, performance is under control with the state-of-the-art System 4 Door Controller.

## Intelligent Control

- Monitors power consumption and utilizes dynamic speed curves
- Self-monitoring and self-diagnostic capabilities simplify troubleshooting

## Simple and Precise

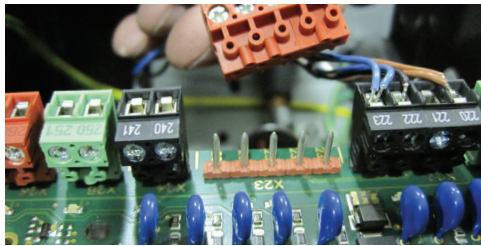
- Three simple buttons enable total digital control of all door functions, parameters and positioning

## Fast and Smooth

- Speed adjustments, smooth motion and efficient operation result in less wear on components and lower maintenance costs

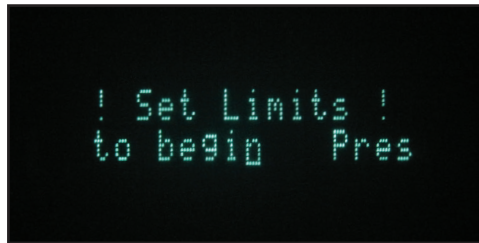
## Programmable

- Program the door to match traffic speed and environment



## Quick Connections

- Low voltage color-coded terminals can be pre-wired before plugging-in for easier connections
- Motor, brake and encoder are pre-wired with cables for faster installation



## Easy to Read Display

- Vacuum fluorescent display
- Scrolling messages for full descriptions
- Easy to understand error codes and instructions



## Absolute Encoder

- Absolute encoder allows for precise door positioning while eliminating the need for mechanical limit switches
- Positioning is maintained if the door is moved with power disconnected

## Specifications

- UL/cUL listed, base enclosure UL Type NEMA 4X
- Enclosure size 16.75"H x 8.25"W x 7.75"D
- 208VAC, 230VAC 1-phase or 3-phase or 460VAC 3-phase power
- Low voltage color-coded terminals can be pre-wired before plugging-in for easier connections
- Motor, brake and encoder are pre-wired for fast installation
- Impact-resistant polycarbonate plastic
- Operating temperature range -4° to 149°F
- Total digital control with vacuum fluorescent display, scrolling messages and easy to understand instructions

## Controls and Functionality

- Pre-configured at factory for power source
- Preprogrammed menu options or fully programmable
- Variable frequency drive for speed adjustments and soft starts and stops
- Intelligent processor monitors power consumption and utilizes most efficient speed curve for optimal energy performance
- Absolute encoder allows for precise door positioning while eliminating the need for mechanical limit switches
- Positioning is maintained if the door is moved with power disconnected
- Errors include a time and date stamp for reference

QUALITY. PERFORMANCE. RELIABILITY.

# BTA4 REMOTE DOOR CONTROLLER



The BTA4 (Bluetooth Access) Controller – when connected to the Rytec System 4® - enhances the operation and aesthetics of our high-speed, high-performance doors. It provides a new wave of technology and accessibility that is in great demand. The BTA4 will allow Bluetooth access and control via iPhone or Android smart phones for service, programming and updating. BTA4 now makes it even easier to maintain door functionality.

Not only is this new device high-tech but it is also designed for maximum aesthetic and visual impact. Our previous compact controller, the MS4\*, represented a forward step for remote controllers. Now, the BTA4 is even more compact, and features ability for installation directly into the side column of most new Rytec Spiral® doors†. It may also be field-installed within new or existing System 4-controlled doors, or installed near or along the side column if desired.

When paired with the Rytec Pre-Wired Premium Package - with head-installed System 4 main controller (as featured in many Spiral models) - the BTA4 combines unparalleled functionality and high aesthetic value. In addition, its minimal conduit and wiring create a visually clean environment while significantly reducing installation time.



## QUALITY-ASSURED TESTING & CERTIFICATION

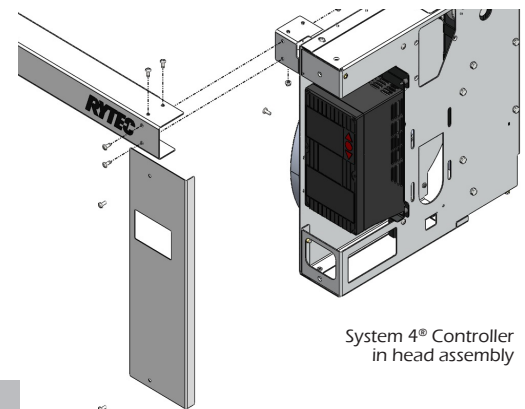
- ▶ Received at installation site as factory-certified, fully tested and fully inspected
- ▶ Electronic circuitry and electrical wiring connections factory certified for complete, out-of-the-box functionality
- ▶ Industry-leading three-year extended warranty electrical component coverage

## Specifications

- 3.75"W x 6.5"H x 1.25"D unit dimensions
- UL Listed, IP Rating: IP66 (equivalent to NEMA 4X)
- 24VDC Class 2 power supply
- Operating temperature range from -4° to 149°F
- Available integrated into side column (select models) or remote installation

## Controls and Functionality

- Total digital control with vacuum fluorescent display, scrolling messages and easy to understand instructions
- Same full text display as System 4
- Allows for total access of door operational data, error messages and System 4 parameters
- Up/Down/Stop buttons
- Virtual on/off selector switch with user password control capability with multi-function programmability



System 4® Controller in head assembly

† excludes HZ/VP/LP Spiral® models

## \*OPTIONAL MS4 REMOTE DOOR CONTROLLER

- Compact MS4 enclosure for aesthetic appeal plus multiple mounting options
- Total digital control of door and System 4 parameters
- Consult factory for details



◀ Watch All Rytec Testimonials

Specifications subject to change  
© 2024 Rytec, a Nucor company LIT091224

**RytecDoors.com**  
**888-GO-RYTEC**

info@ryteccdoors.com  
P: 262.677.9046  
W223N16601 Cedar Parkway  
Jackson, WI 53037-0403

**RYTEC**  
a NUCOR company