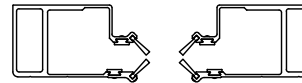
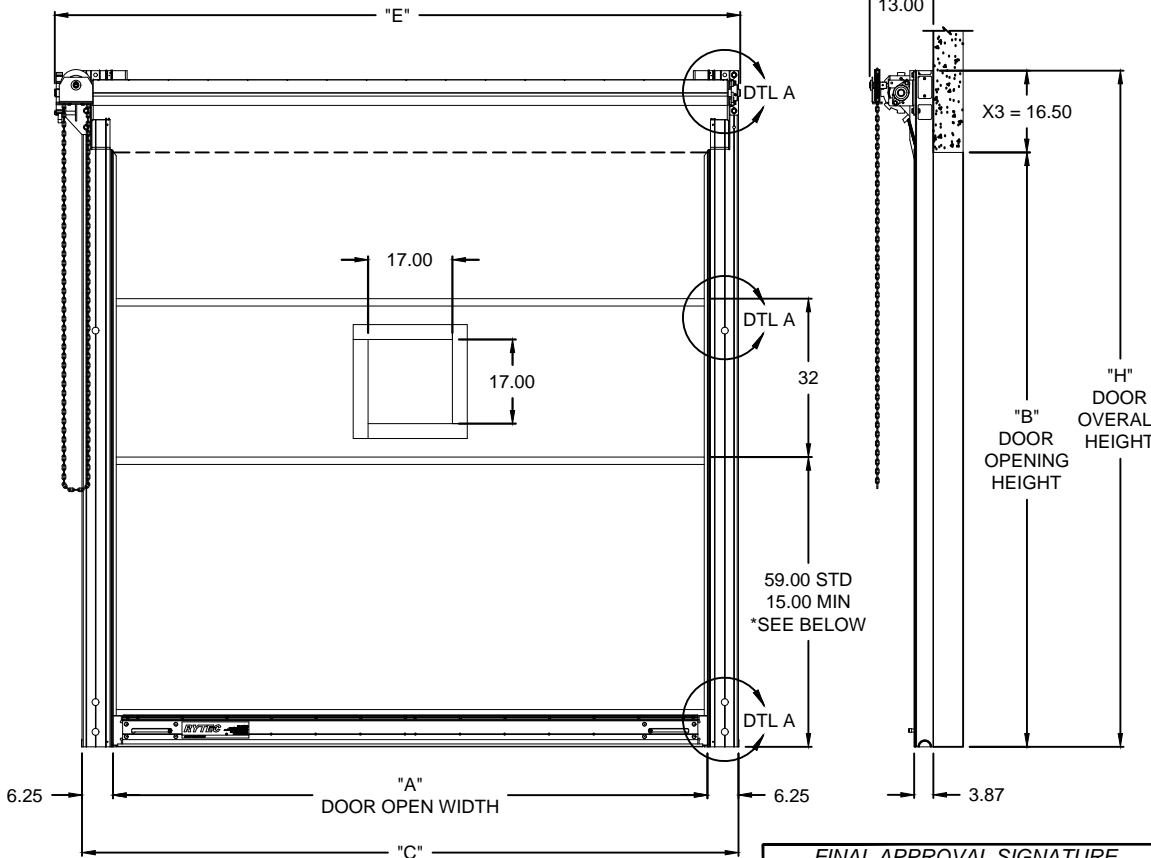
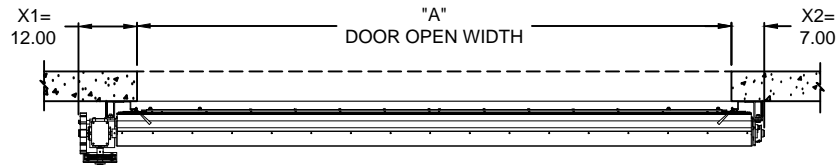


DETAIL A
MOUNTING HOLE LOCATIONS
TYP BOTH SIDE COLUMNS



SIDE COLUMN PROFILE



FINAL APPROVAL SIGNATURE
FABRICATION CAN PROCEED ACCORDING TO THE SPECIFICATION SHOWN EXCEPT AS NOTED
 APPROVED BY: _____
 PRINT NAME: _____
 SIGNATURE: _____
 DATE: _____

	X1	X2	X3	X4	C = A + 12.50	* WINDOW LOCATION LOWERED IF TOP RIB EXCEEDS DOOR OPENING HEIGHT (B). * MAINTAIN 32 INCH SPACING BETWEEN ALL RIBS.
WITHOUT HOOD	12.00	7.00	16.50	13.00	E = A + X1 + X2	
WITH HOOD	13.00	8.00	20.00	14.25	H = B + X3	

DRAWING NOT TO SCALE, ALL DIMENSIONS IN INCHES

DOOR NO.	A	B	C	E	H

MODEL

VINYL	2PLY (\$)	3PLY (\$)	USDA (\$)
<input type="checkbox"/> BLUE	<input type="checkbox"/> BLUE	<input type="checkbox"/> BLUE	<input type="checkbox"/> WHITE
<input type="checkbox"/> ORANGE	<input type="checkbox"/> ORANGE	<input type="checkbox"/> ORANGE	<input type="checkbox"/> BLUE
<input type="checkbox"/> WHITE	<input type="checkbox"/> GRAY	<input type="checkbox"/> GRAY	<input type="checkbox"/> MATTE (\$)
	<input type="checkbox"/> BROWN	<input type="checkbox"/> BROWN	<input type="checkbox"/> RED

STANDARD FEATURES

- 1. BOTTOM BAR SAFETY LOCKS

UPGRADE OPTIONS

- SLANT HOOD (\$)
- RIGHT HAND DRIVE (LH STD.)
- TEMP < 50° REQR LOW TEMP PVC
- WINDRIB
 - ONE
 - TWO
- WINDOW
 - ONE
 - TWO (\$)
 - THREE (\$)
 - FOUR (\$)
 - FULL VISION
- OTHERS (DESCRIBE IN NOTES)

OPTION NOTES

(\$) = PRICING CHANGE IF NOT INCLUDED IN QUOTE

RYTEC CORPORATION
 ONE CEDAR PARKWAY, JACKSON, WI 53037-0403

APPROVAL DRAWING
 MANUALLY OPERATED BANTAM®

CUSTOMER: _____
 LOCATION: _____
 DATE: _____
 DRAWING NO.: 401044-01T REV.: —