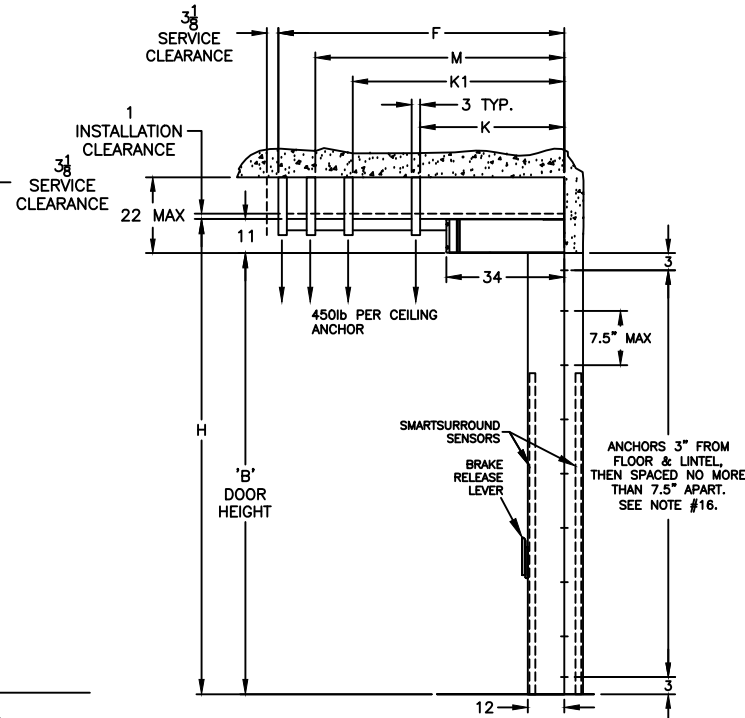
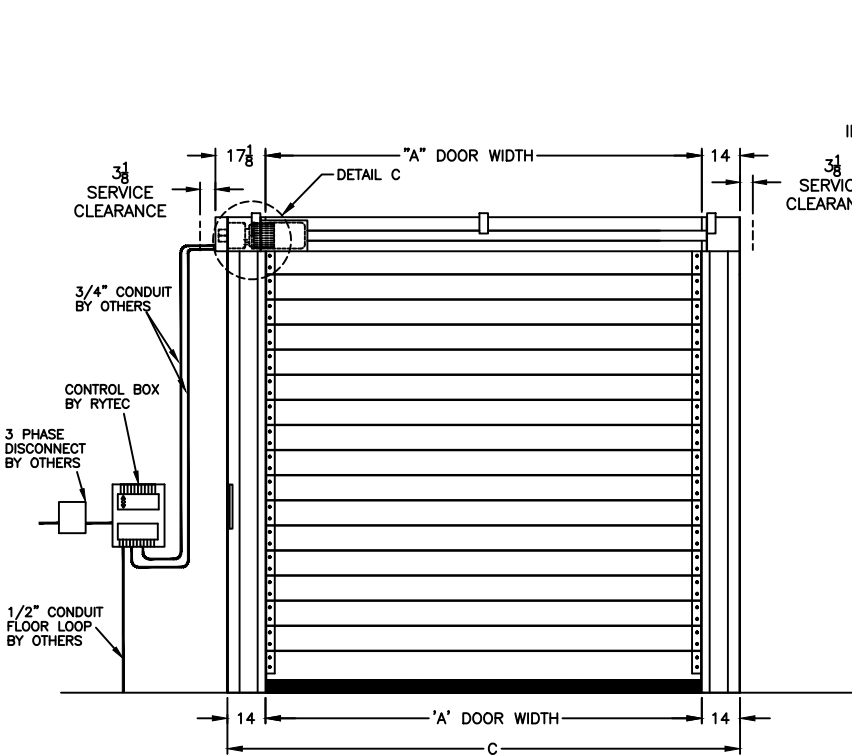
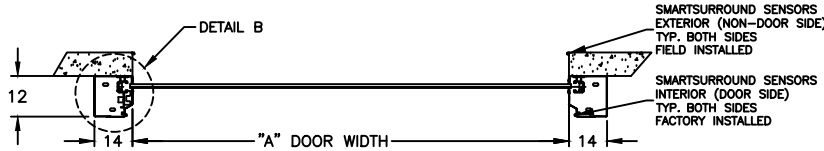


**DIMENSIONAL VARIABLES**

DRAWING NOT TO SCALE; DIMENSIONS IN INCHES

DOOR NO.	A	B	C	F	M	K1	K	H
MILLIMETERS								

ACTUAL DOOR SIZE IS PRODUCED IN MILLIMETERS  
REQUESTED DOOR SIZE IS CONVERTED TO MILLIMETERS  
AND ROUNDED UP TO THE NEAREST 10MM



**ELECTRICAL OPTIONS**

- 460v - 3ph
- 230v/208v - 3ph
- 230v - 1ph
- 480v OPEN DELTA, UNGROUNDED (\$)
- 575v - 3ph (\$)  
(INCLUDES NEMA 4 METAL ENCLOSURE WITH 575/460 TRANSFORMER)

**STANDARD FEATURES**

1. CARBON STEEL POWDER COATED HEAD & SIDE COLUMN COMPONENTS.
2. SMARTSURROUND ADVANCED DETECTION AND ALERT SYSTEM.
3. VARIABLE DOOR OPENING SPEED; UP TO 60"/SEC.
4. PROGRAMMABLE UPPER AND LOWER LIMITS.
5. NEMA 4X SYSTEM 4 CONTROL BOX (8.5"x16.5").
6. BRAKE RELEASE LEVER ON SIDE COLUMN.
7. ELECTRICAL FAIL SAFE REVERSING EDGE.
8. HEAVY DUTY ROLLERS AND GUIDE TRACK
9. INSULATED PANEL SLATS
10. DOOR APPROVED FOR USE IN AND OUTSIDE HVHZ
11. DOOR APPROVED FOR LARGE MISSILE IMPACT
12. REGISTERED BY FBC APPROVAL # FL28502-R3
13. REGISTERED BY MIAMI DADE NOA # 23-0929.05
14. CONCRETE ANCHORS TO BE 3/4" DIA. X 4-1/2" LONG, RED HEAD ITW TRUBOLT WEDGE OR HILTI KWIK BOLT 4 EXPANSION ANCHORS. SHALL BE INSTALLED FOLLOWING ALL RECOMMENDATIONS AND SPECS OF THE ANCHOR MANUFACTURER. ANCHORS TO BE INSTALLED IN MIN. 4000PSI CONCRETE WITH MIN. EMBEDMENT OF 2-1/4".

**STANDARD OPTIONS**

- RIGHT HAND DRIVE
- REMOTE MOUNTED EGRESS LEVER (\$)
- BTA4 (BLUETOOTH ACCESS TERMINAL) (\$)  
NIGHT SWITCH FUNCTION: \_\_\_\_\_

**ACTIVATION OPTIONS (\$)**

- PRESENSE SENSOR
- PULLCORDS
- RADIO CONTROL w/2 X-MITTERS
- MOTION DETECTOR
- PUSHBUTTON
- FLOOR LOOP CONTROLLER
- OTHERS (DESCRIBE IN NOTES)

**OPTION NOTES**

(\$ ) = PRICING CHANGE IF NOT INCLUDED IN QUOTE

- PATHWATCH SAFETY SYSTEM

\*\*\*PLEASE SPECIFY VOLTAGE\*\*\*

**RYTEC CORPORATION**

ONE CEDAR PARKWAY, JACKSON, WI 53037-0403

**APPROVAL DRAWING**

**SPIRAL-HZ LOW HEADROOM**

FOR DOOR WIDTH UP TO 16'-0", HEIGHT UP TO 16'-4"

CUSTOMER: \_\_\_\_\_

LOCATION: \_\_\_\_\_

DATE: \_\_\_\_\_

DRAWING NO.: 728-01T

REV.: B

**HANGER FORMULAS**

- K = NOT REQUIRED; FOR B<99  
K = 72; FOR B>=99
- K1 = NOT REQUIRED; FOR B<161  
K1 = 135; FOR B>161
- M = B+20; FOR B<91  
M = B; FOR B>91
- F = B+31; FOR B<91  
F = B+11; FOR B>91

**FINAL APPROVAL SIGNATURE**

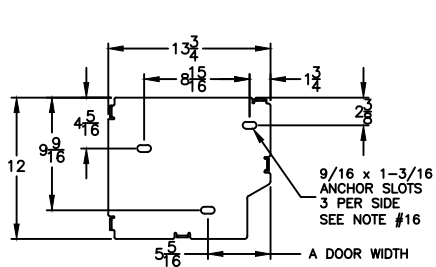
FABRICATION CAN PROCEED ACCORDING TO THE SPECIFICATION SHOWN EXCEPT AS NOTED

APPROVED BY: \_\_\_\_\_

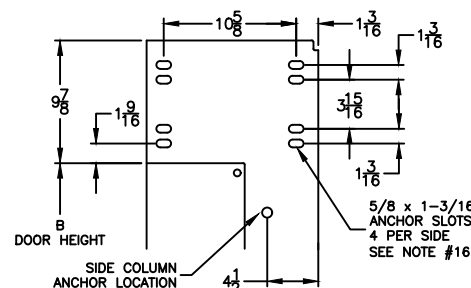
PRINT NAME: \_\_\_\_\_

SIGNATURE: \_\_\_\_\_

DATE: \_\_\_\_\_



DETAIL B



DETAIL C

REV	DESCRIPTION	DATE	BY
B	UPDATED FOR CURRENT APPROVALS	12/12/24	JMM