

**DIMENSIONAL VARIABLES**

DRAWING NOT TO SCALE; DIMENSIONS IN INCHES

DOOR NO.	A	B	C	F	M	K	H

MILLIMETERS

ACTUAL DOOR SIZE IS PRODUCED IN MILLIMETERS  
REQUESTED DOOR SIZE IS CONVERTED TO MILLIMETERS  
AND ROUNDED UP TO THE NEAREST 10MM

**ELECTRICAL OPTIONS**

- 460v - 3ph
- 230v/208v - 3ph
- 230v - 1ph
- 480v OPEN DELTA, UNGROUNDED (\$)
- 575v - 3ph (\$)  
(INCLUDES NEMA 4 METAL ENCLOSURE WITH 575/460 TRANSFORMER)

**STANDARD FEATURES**

- SIDE COLUMN AND HEAD CONSOLE POWDER COATED RYTEC SILVER.
- INTELLIGENT LIGHT CURTAIN SYSTEM IN DOOR LINE TO 6'-0" ABOVE FINISHED FLOOR.
- SMARTSURROUND ADVANCED DETECTION AND ALERT SYSTEM.
- VARIABLE DOOR OPENING SPEED; UP TO 24"/SEC.
- PROGRAMMABLE UPPER AND LOWER LIMITS.
- NEMA 4X SYSTEM 4 CONTROL BOX (8.5"x16.5").
- BRAKE RELEASE LEVER ON SIDE COLUMN.

**UPGRADE OPTIONS**

- RIGHT HAND DRIVE
- ROTARY DISCONNECT (\$)
- BTA4 (BLUETOOTH ACCESS TERMINAL) (\$)  
NIGHT SWITCH FUNCTION: \_\_\_\_\_
- SELECTOR SWITCH ON CONTROL BOX (\$)  
FUNCTION: \_\_\_\_\_
- PHOTOEYES IN LIEU OF LIGHT CURTAIN (\$)
- FULL VISION PANEL
- FULL VENTILATED PANEL
- FULL HEIGHT ACTIVE REVERSING EDGE SENSOR (\$)

**ACTIVATION OPTIONS (\$)**

- PUSHBUTTON
- PULL CORDS
- MOTION DETECTOR
- PRESENCE DET.
- MOTION/PRESENCE
- DUAL LOOP CONTROLLER
- RADIO CONTROL RCVR  
(INCLUDE MIN 2 XMIT)
- \_\_\_ 1 BTN TRANSMITTER
- \_\_\_ 2 BTN TRANSMITTER
- \_\_\_ 4 BTN TRANSMITTER

**OPTION NOTES**

(\$ ) = PRICING CHANGE IF NOT INCLUDED IN QUOTE

\*\*\*PLEASE SPECIFY VOLTAGE\*\*\*

**FORMULAS**

F = (B + 30.50); FOR B < 91  
F = (B + 11.00); FOR B >= 91

M = (B + 20.00); FOR B < 91  
M = B; FOR B >= 91

K = NOT REQ'D; FOR B < 99  
K = 72.00; FOR B >= 99

**FINAL APPROVAL SIGNATURE**

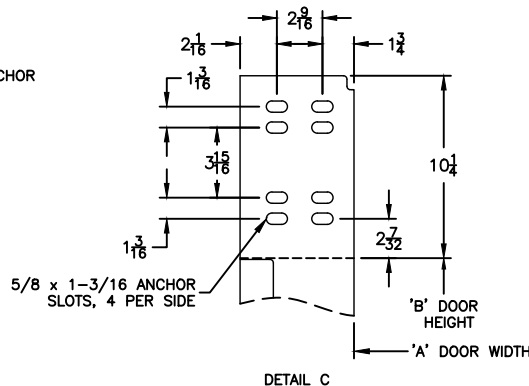
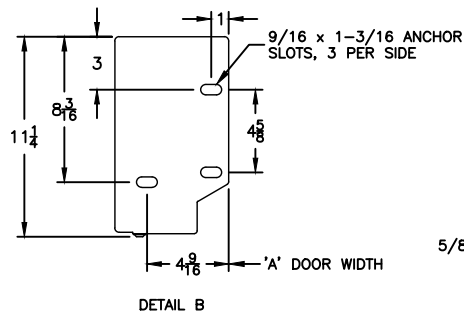
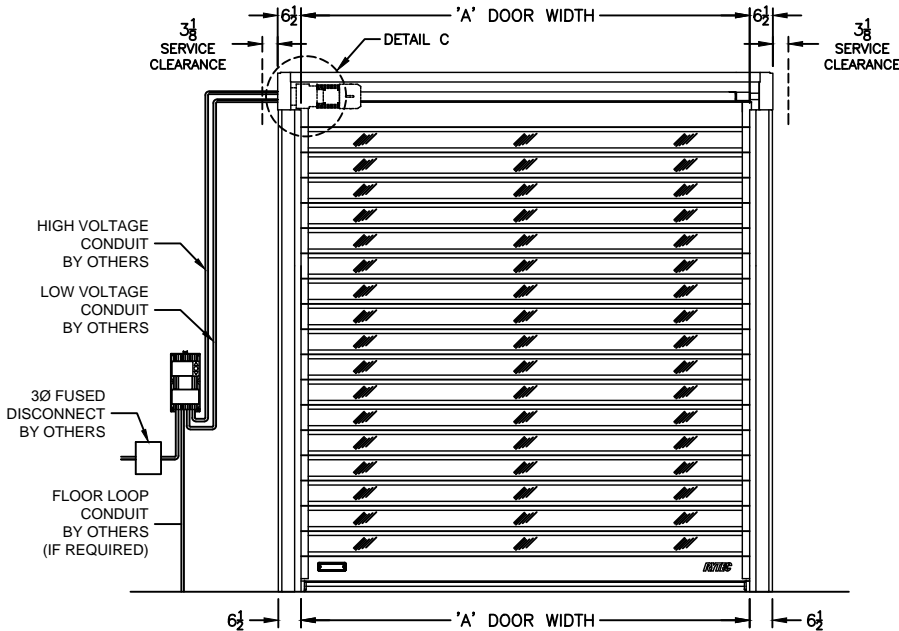
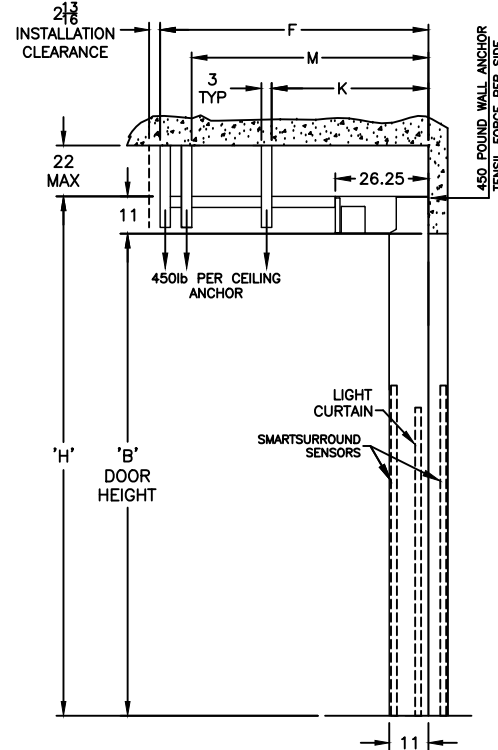
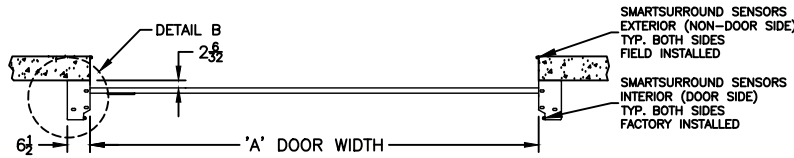
FABRICATION CAN PROCEED ACCORDING TO THE SPECIFICATION SHOWN EXCEPT AS NOTED

APPROVED BY: \_\_\_\_\_

PRINT NAME: \_\_\_\_\_

SIGNATURE: \_\_\_\_\_

DATE: \_\_\_\_\_



REV	DESCRIPTION	DATE	BY

**RYTEC CORPORATION**  
ONE CEDAR PARKWAY, JACKSON, WI 53037-0403

APPROVAL DRAWING  
SPIRAL LP-FV MODEL STN-LP-S  
DOOR WIDTHS 13'-2" TO 18'-0", HEIGHT UP TO 12'-0"

CUSTOMER: \_\_\_\_\_

LOCATION: \_\_\_\_\_

DATE: \_\_\_\_\_

DRAWING NO.: 733-01T

REV.: \_\_\_\_\_